

1/10 SCALE 2WD RTR BUGGY

# HYPER H2

1/10 SCALE 2WD RTR BUGGY

# HYPER H2



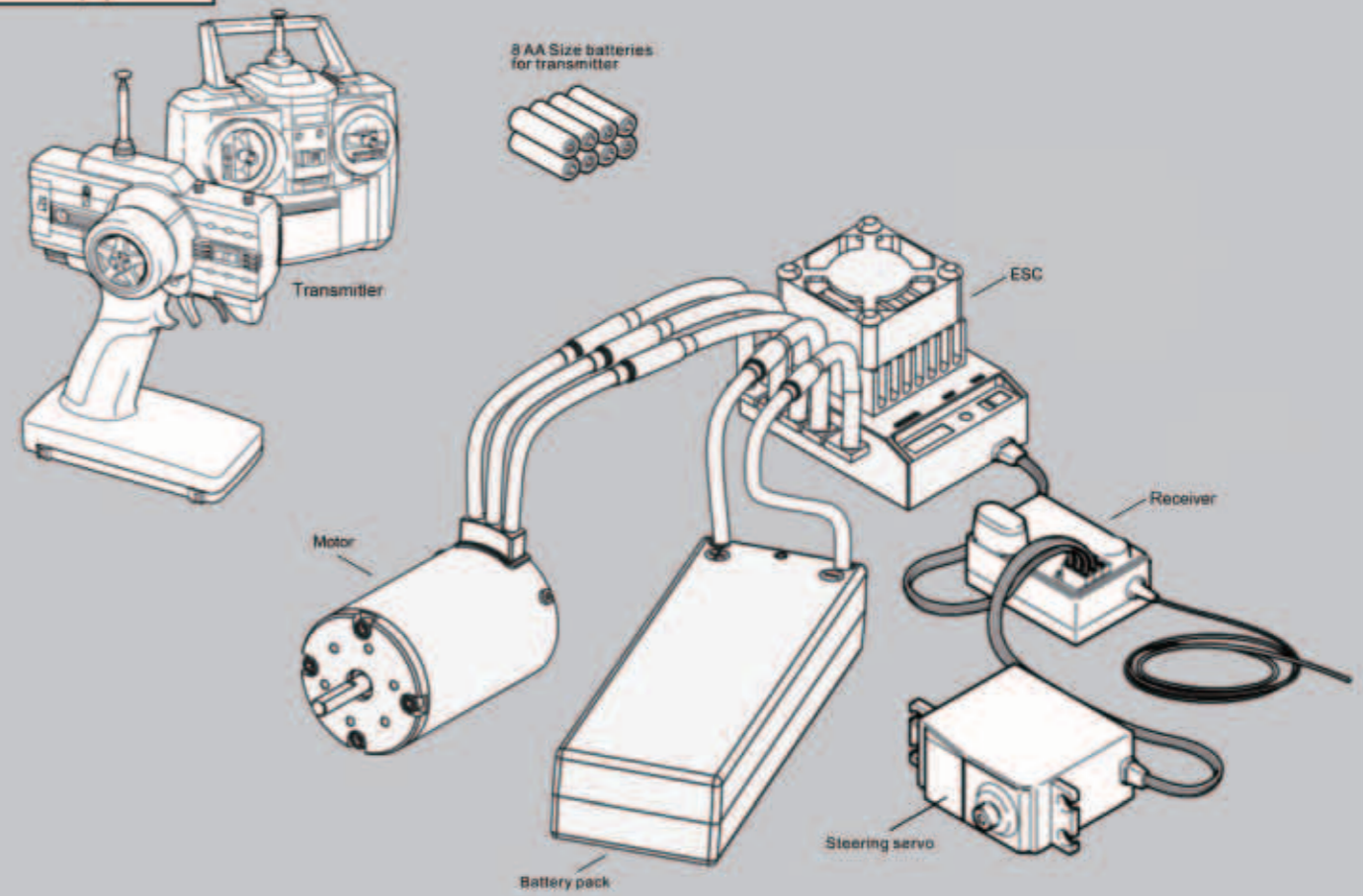
HO BAO ENTERPRISING CO.,LTD.  
[www.hobao-racing.com](http://www.hobao-racing.com)  
E-Mail:[hobao@hobao.com.tw](mailto:hobao@hobao.com.tw)  
Made in Taiwan

**INSTRUCTION MANUAL**  
**Hobao Racing**

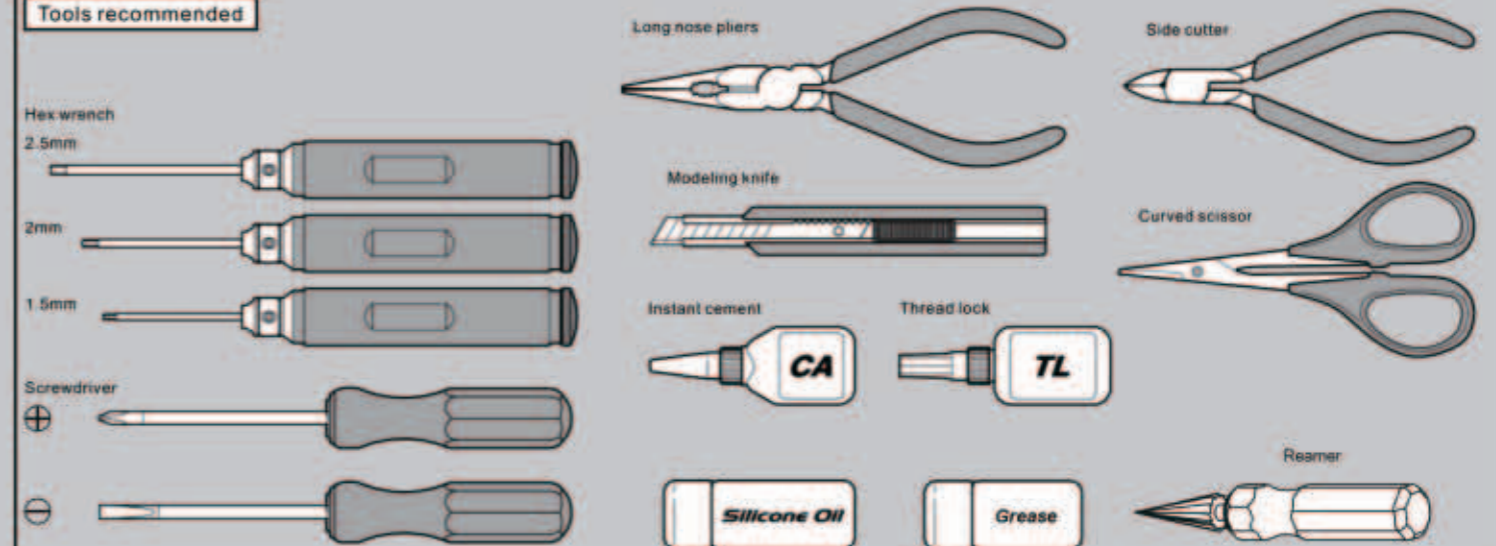
# 1/10 SCALE 2WD BUGGY HYPER #2

## Required

### Radio control equipment set



### Tools recommended


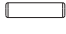



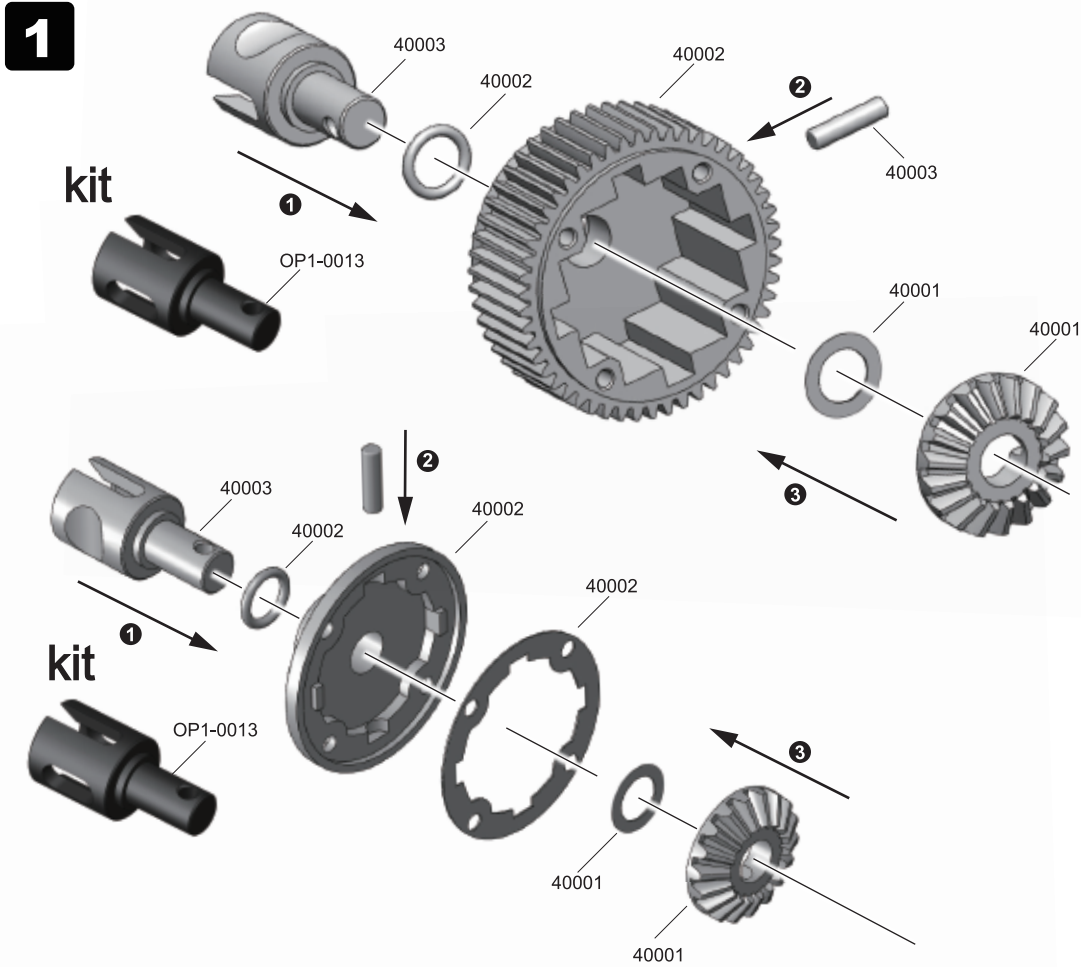
### Included items





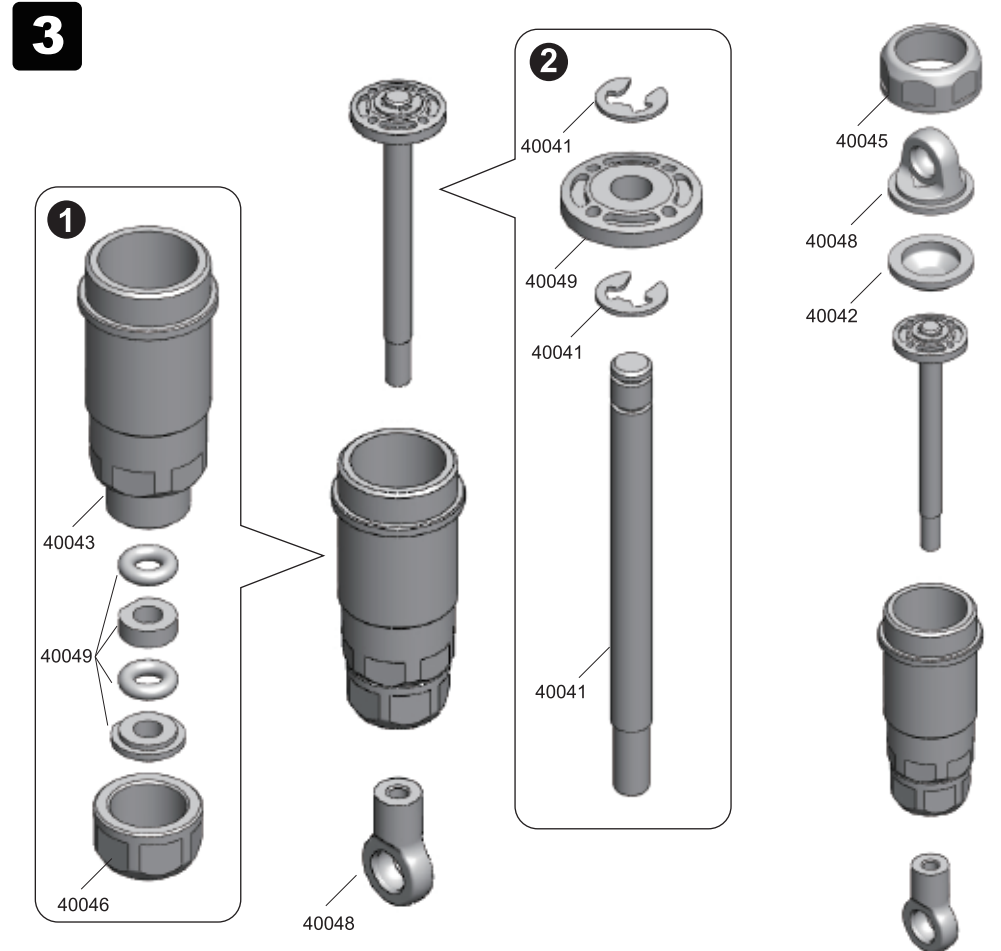
## Differential Assembly 1

-  40002  
5x7mm x2  
O-Ring
-  40003  
2x7.8mm x2  
Shaft
-  40001  
5x8x0.2mm x2  
Washer





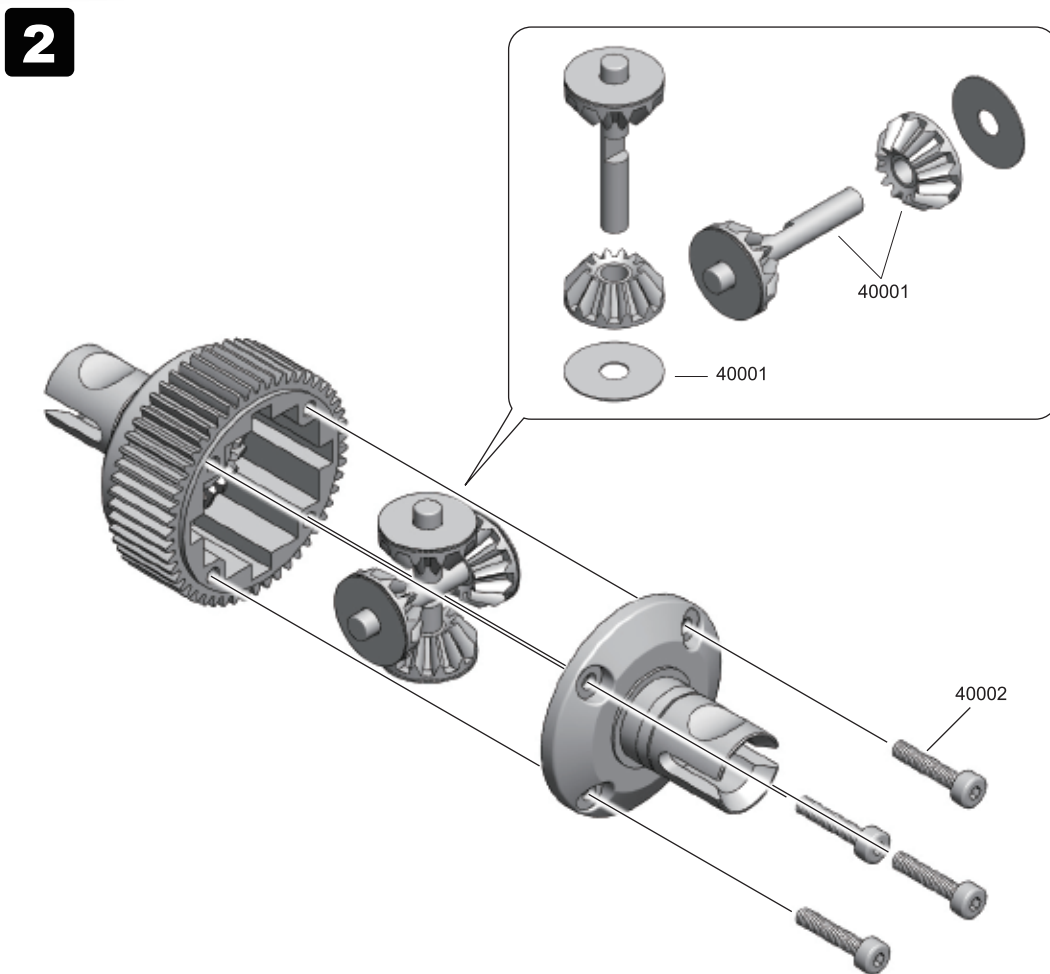
## Shock Assembly 1

-  40049  
3.3x7.1mm x2  
O-Ring
-  40049  
3.6x6.9x2.4mm x1  
Spacer
-  40041  
3mm x2  
E-Clip
-  40049  
Retainer



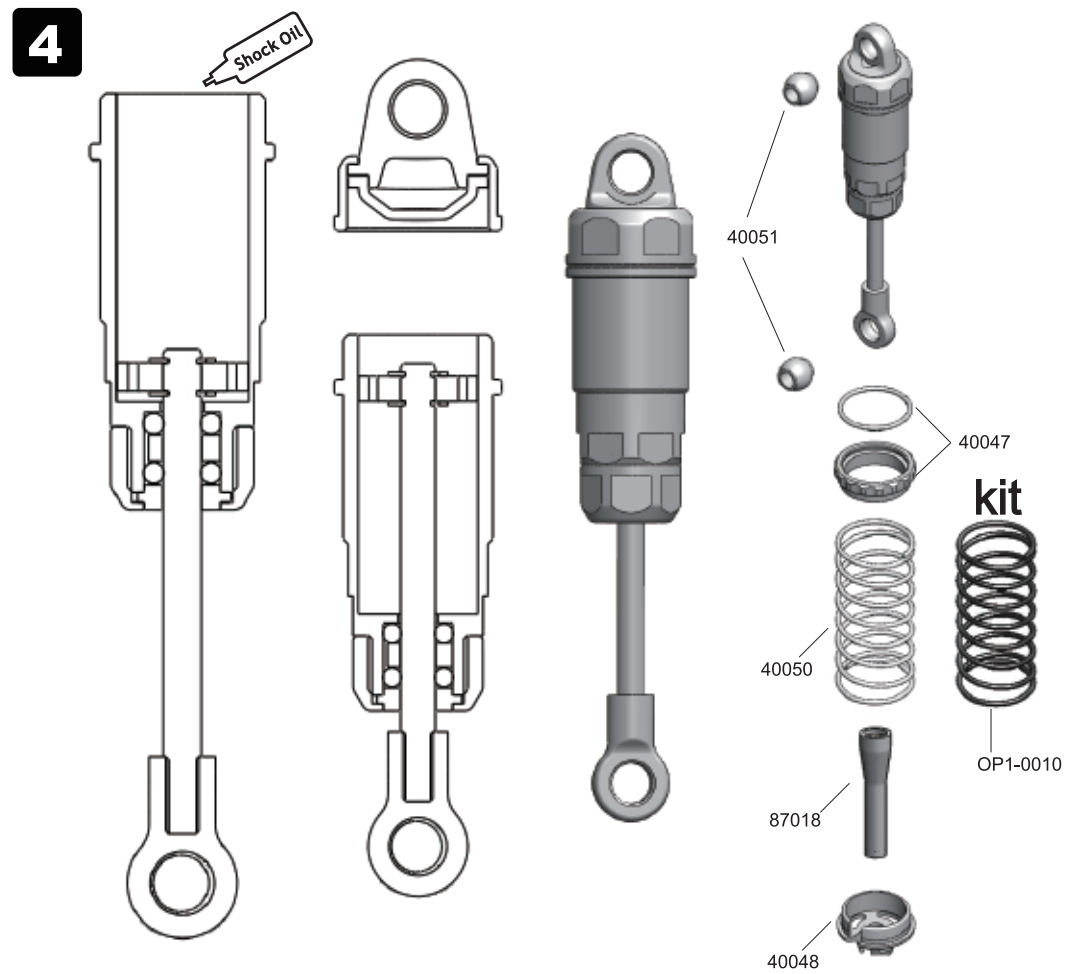
## Differential Assembly 2

-  40002  
2x10mm x4  
Cap Screw
-  40001  
3x6x0.2mm x4  
Washer






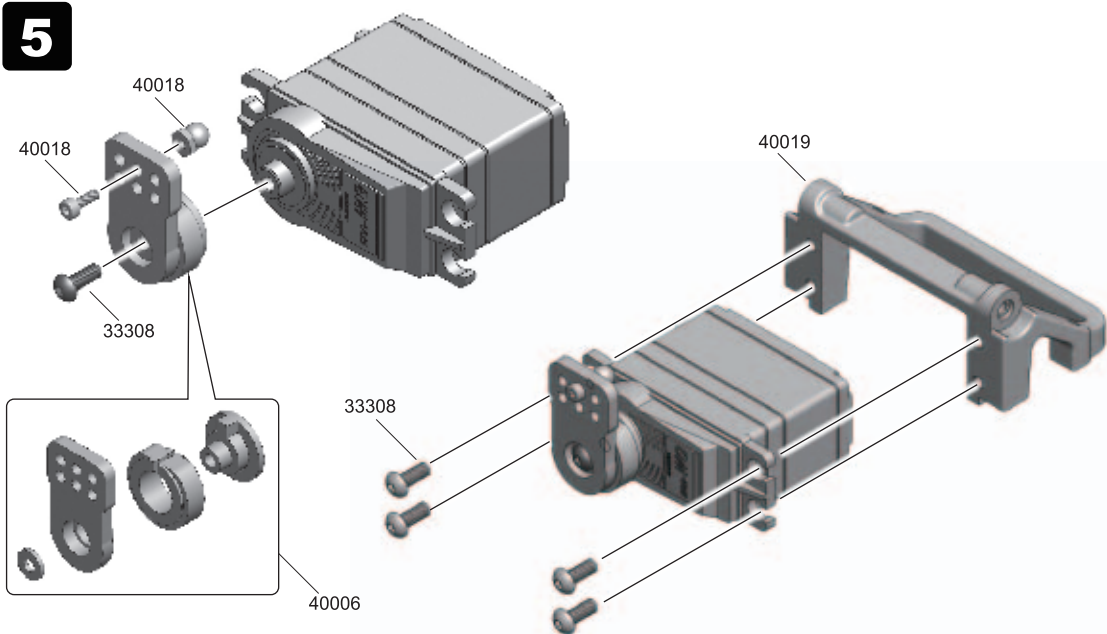
## Shock Assembly 2

-  40051  
5.8mm x8  
Ball





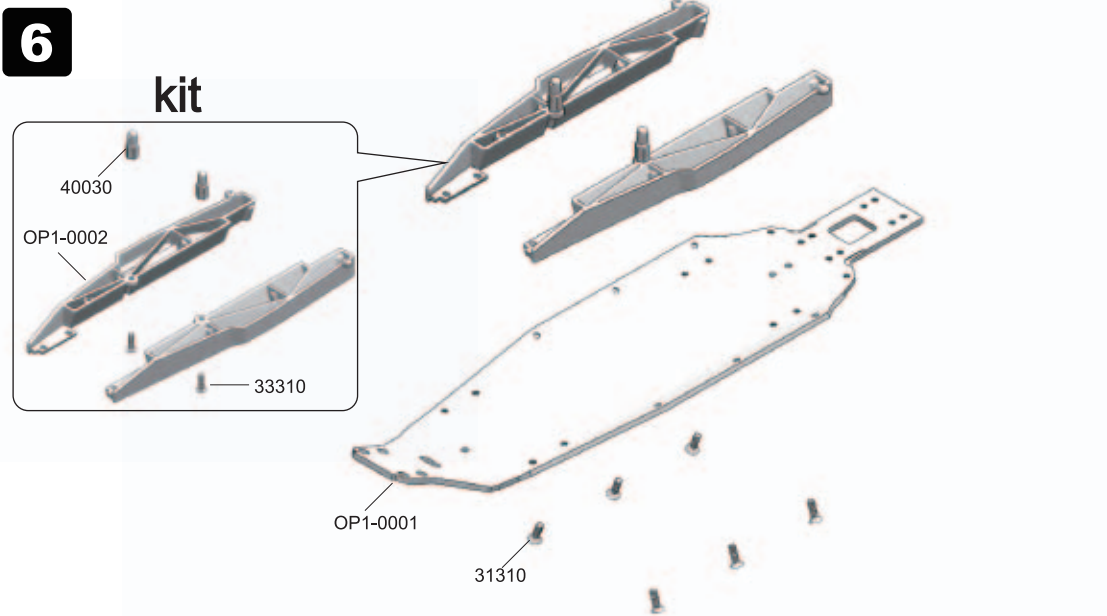
## Servo Assembly

-  40018  
2x6mm x1  
Cap Screw
-  40018  
4.8mm x1  
Ball Flanged
-  33308  
3x8mm x5  
B/H Screw

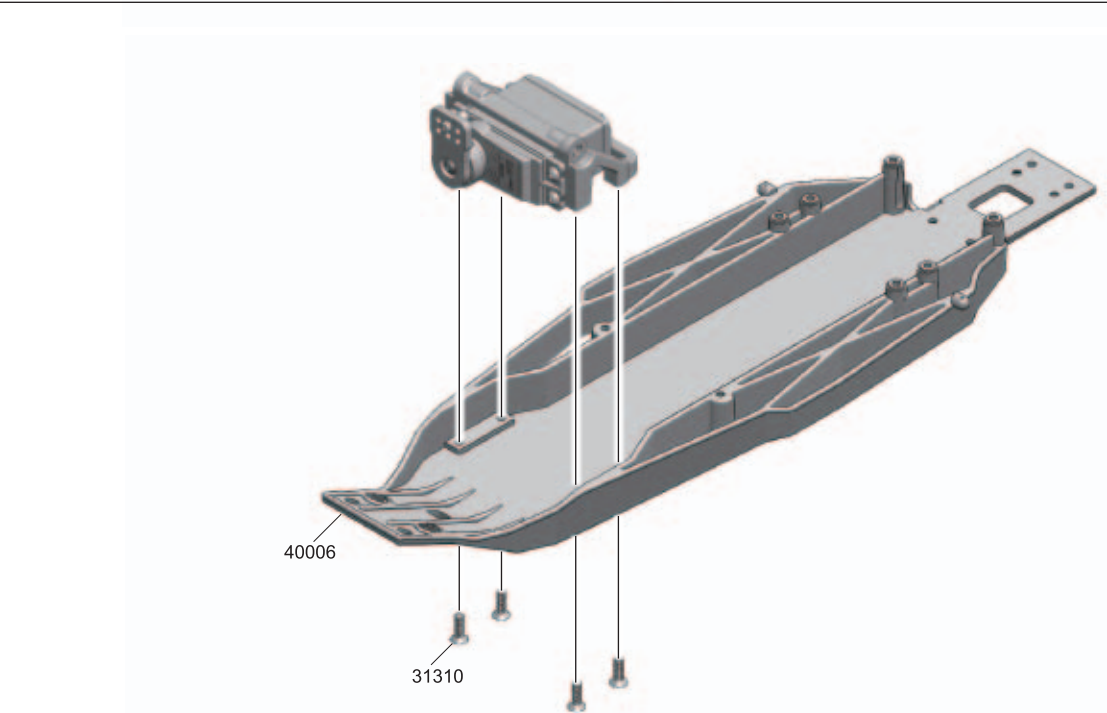


## Chassis Assembly






-  33310  
3x10mm x2  
B/H Screw
-  31310  
3x10mm x6  
F/H Screw

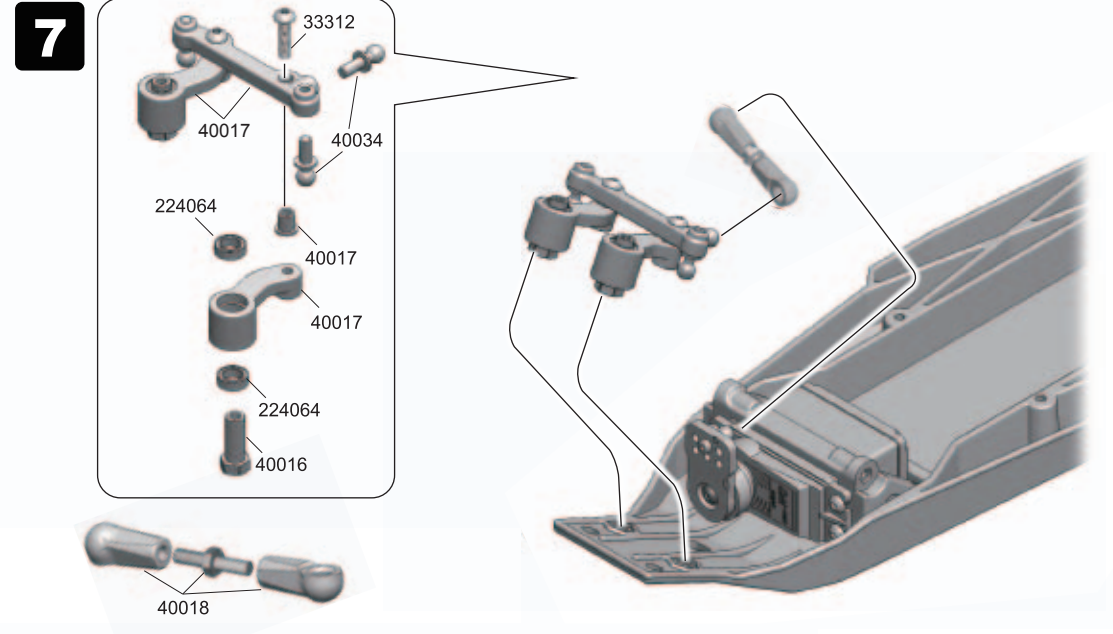


-  31310  
3x10mm x4  
F/H Screw









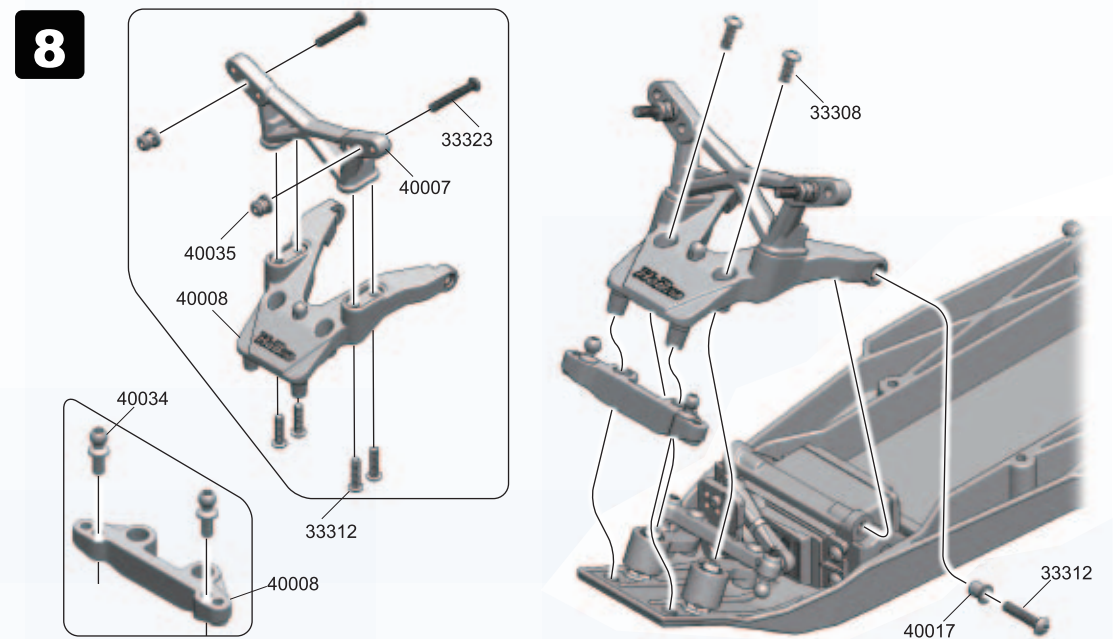
## Steering Rack Assembly

-  33312  
3x12mm x2  
B/H Screw
-  224064  
5x8x2.5mm x4  
Ball Bearing
-  40034  
4.8xM3x7mm x3  
Ball Stud
-  40017 x2  
Bushing
-  40018  
3x18mm x1  
Turnbuckle





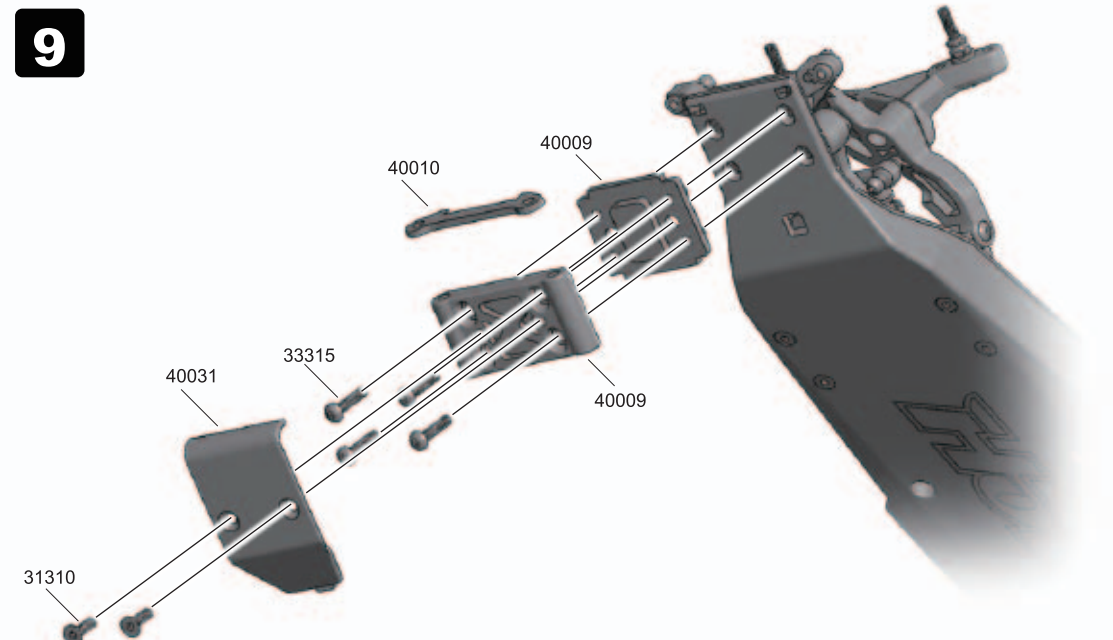
## Front Bulkhead Assembly

-  33308  
3x8mm x2  
B/H Screw
-  33312  
3x12mm x6  
B/H Screw
-  33323  
3x23mm x2  
B/H Screw
-  40034  
4.8xM3x7mm x2  
Ball Stud
-  40035 x2  
Shock Bushing
-  40017 x2  
Bushing



## Front Bumper Assembly

-  31310  
3x10mm x2  
F/H Screw
-  33315  
3x15mm x4  
B/H Screw





## Steering Knuckle Assembly

	33305 3x5mm x2 B/H Screw
	40013 x8 KingPin Screw
	40034 4.8xM3x7mm x4 Ball Stud
	84077 5x10x4mm x4 Ball Bearing
	40033 2.5x7x0.5mm x4 Washer
	40033 2.5x7x1mm x2 Washer
	40033 3.1x7x2mm x2 Washer

**10**

## Front Suspension Arm Assembly

	40014 3mm x4 E-Clip
--	---------------------------

**11**

## Battery Tray Assembly

	33312 3x12mm x2(kit) B/H Screw
	31310 3x10mm x6(kit) F/H Screw
	33312 3x12mm x6(rtr) B/H Screw
	31310 3x10mm x2(rtr) F/H Screw
	33310 3x10mm x2(rtr) B/H Screw

**12**

kit

## Transmission Assembly 1

	84077 5x10x4mm x4 Ball Bearing
	84078 6x10x3mm x1 Ball Bearing
	224066 10x15x4mm x2 Ball Bearing
	40004 5x16mm x2 Shaft

**13**

## Transmission Assembly 2

	84078 6x10x3mm x2 Ball Bearing
	33312 3x12mm x2 B/H Screw
	39004 x1 M3 Nut

**14**

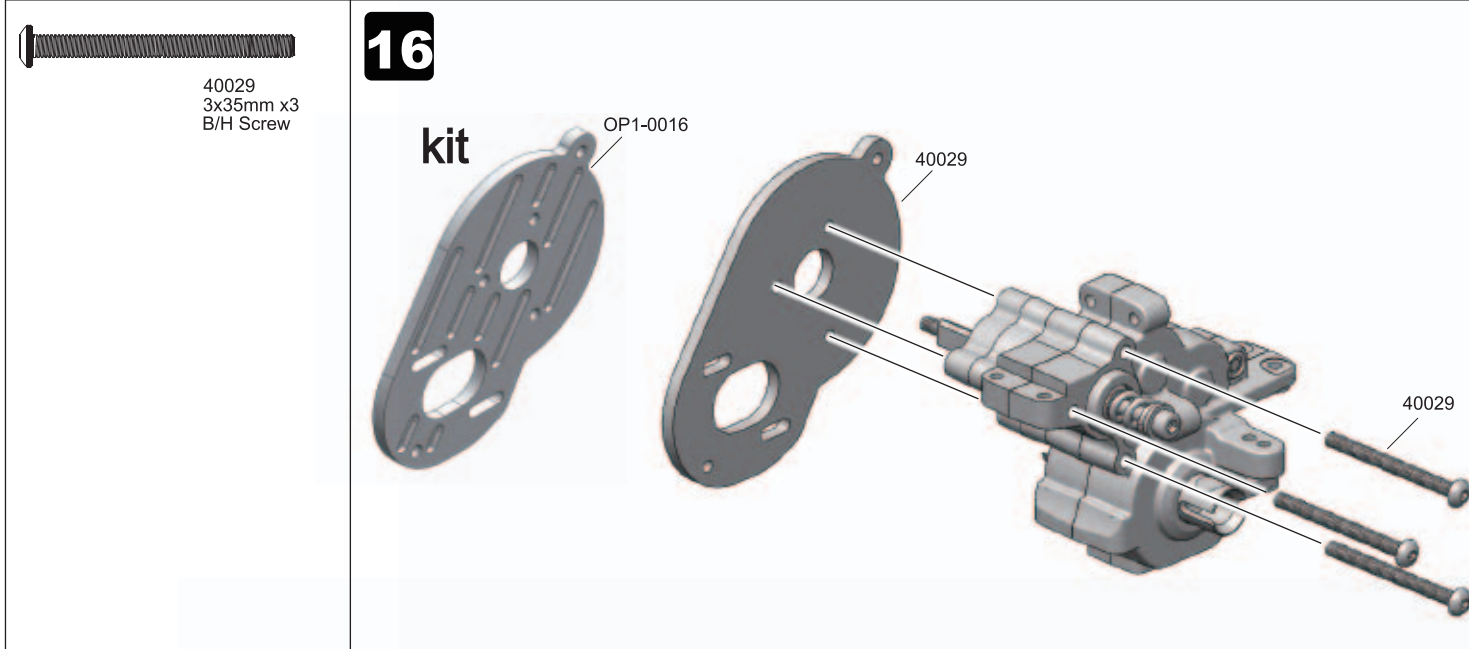
## Transmission Assembly 3

	40040 Slipper Washer
	40040 Slipper Spring
	40040 3x65mm Cap Screw

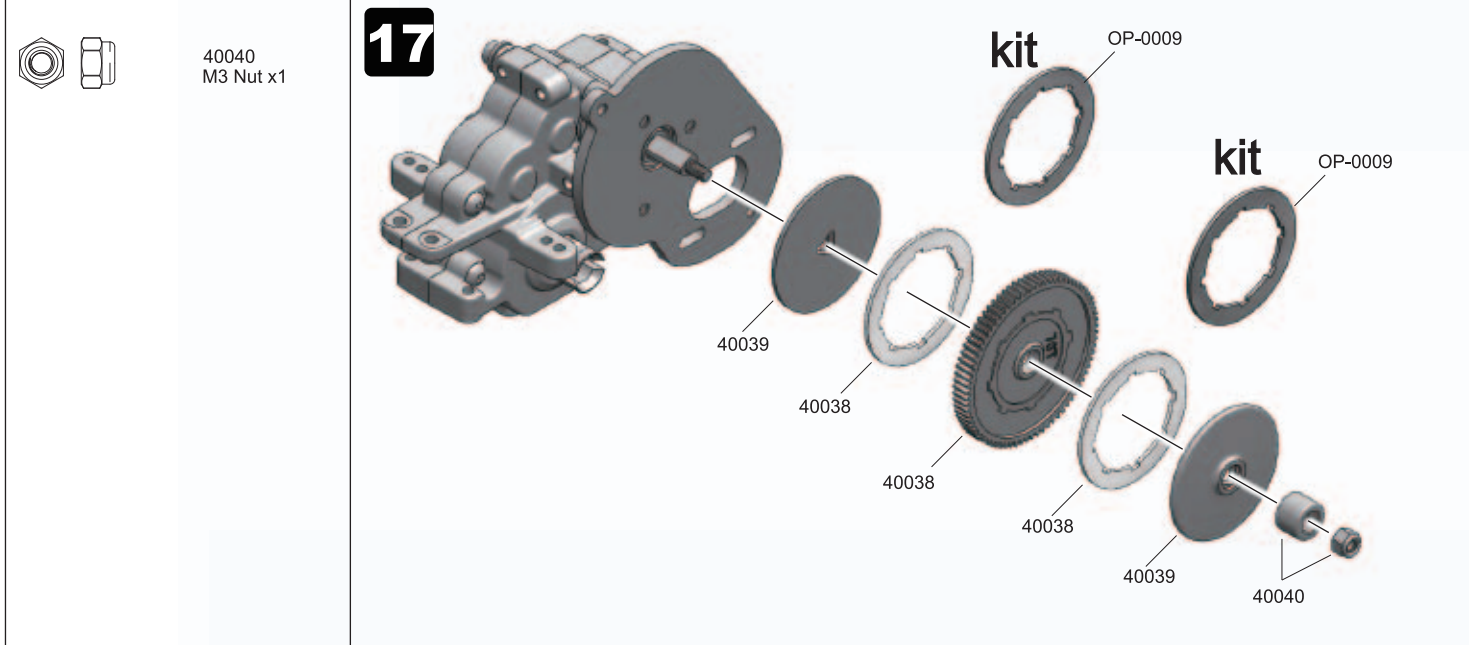
**15**



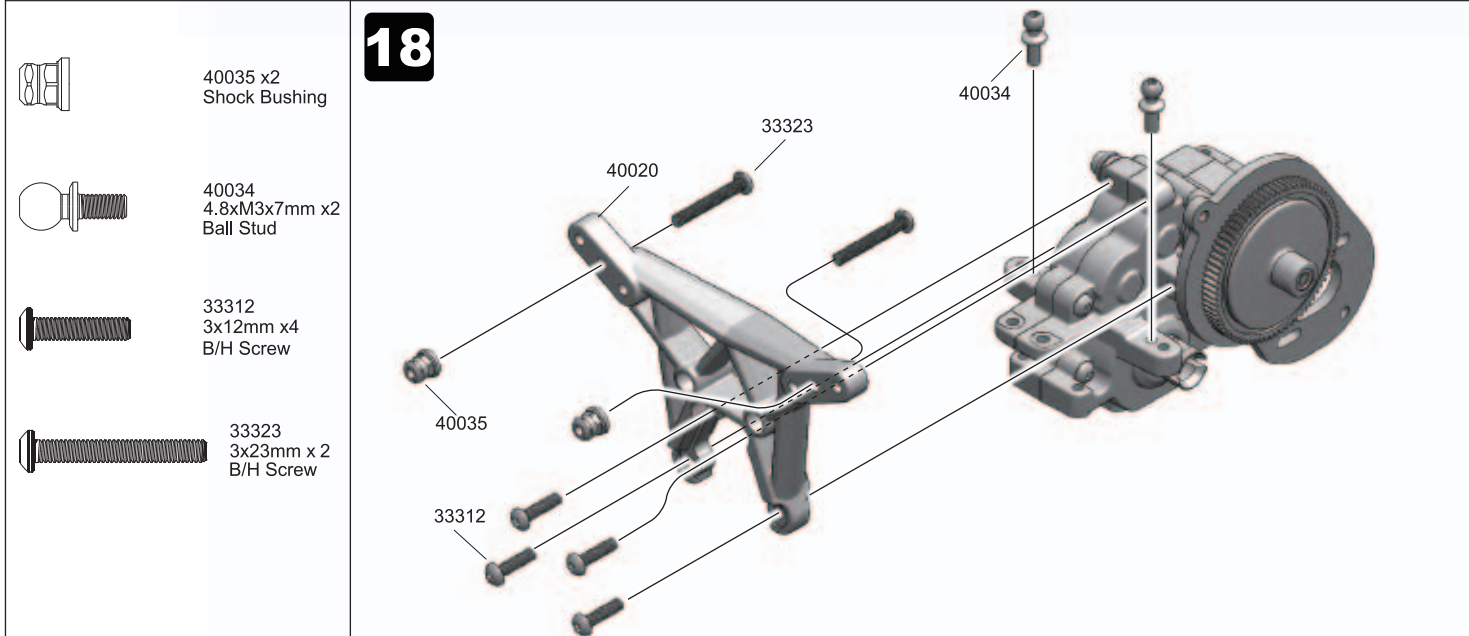
## Motor Mount Assembly



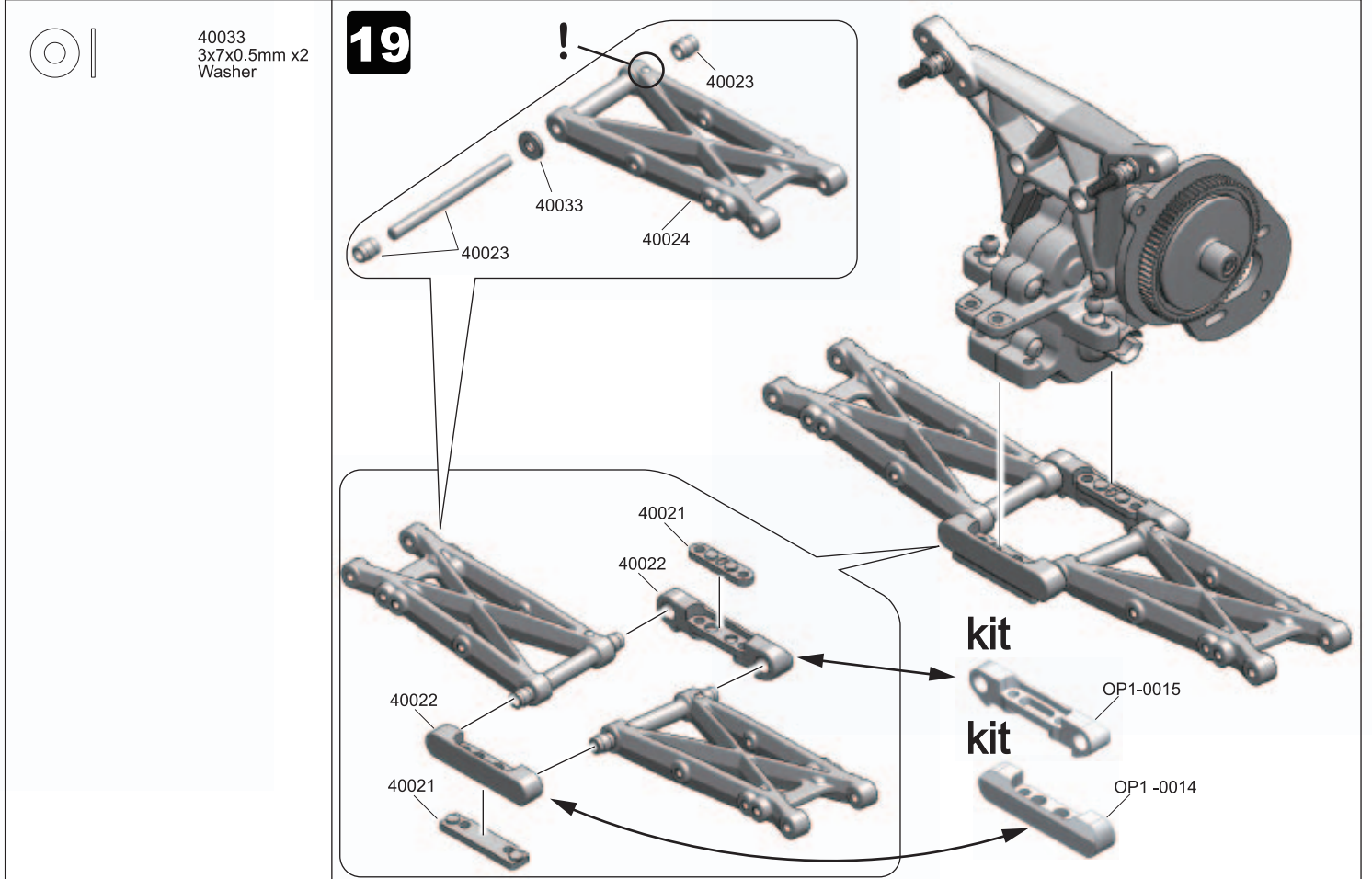
## Slipper Assembly



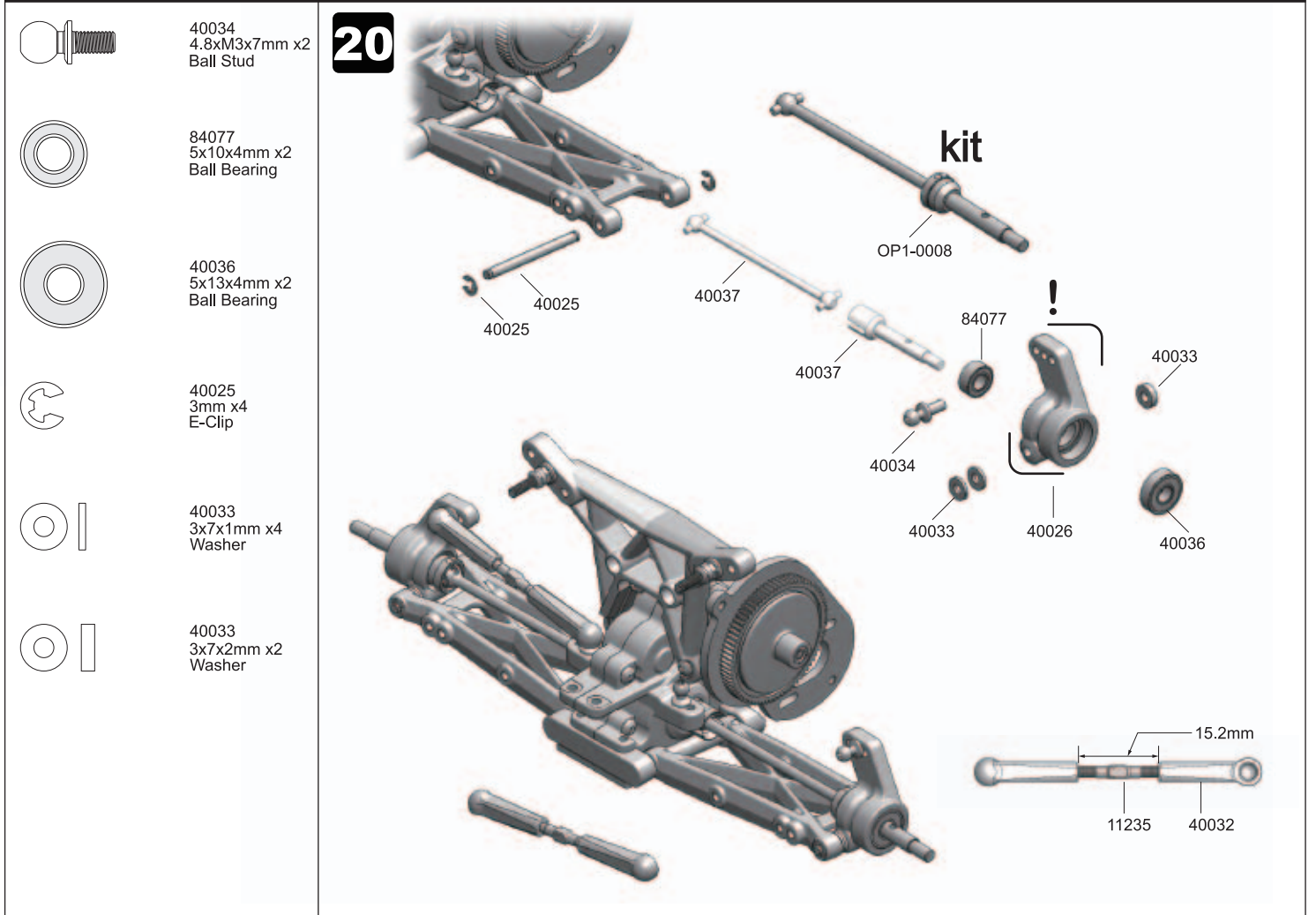
## Rear Shock Tower Assembly



## Rear Suspension Arm Assembly

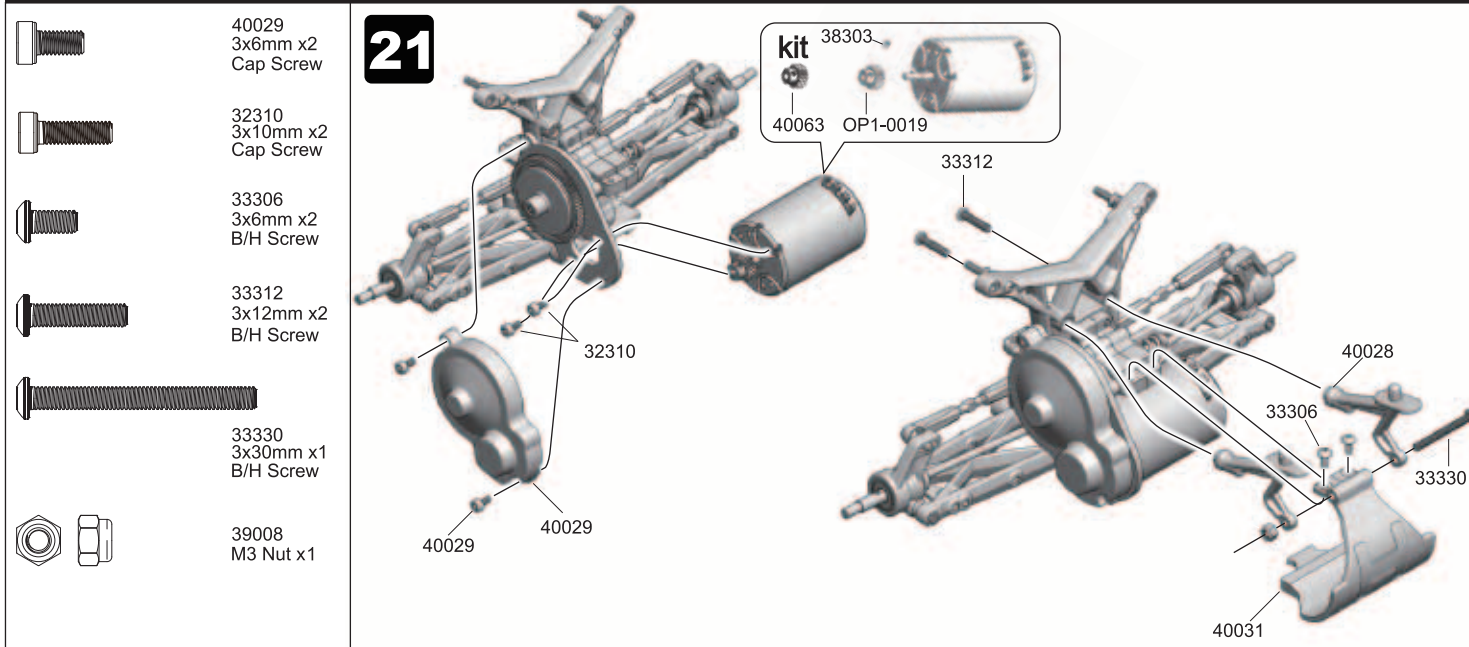


## Rear Hub Assembly

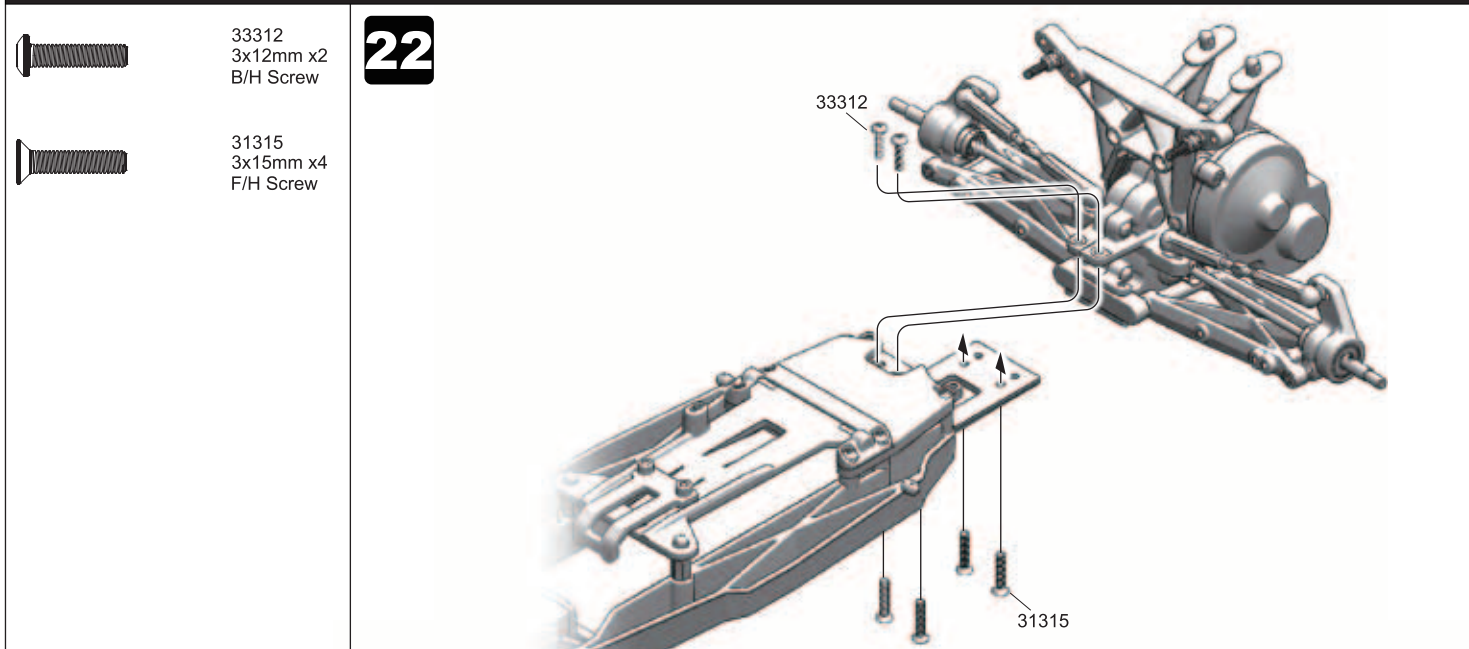




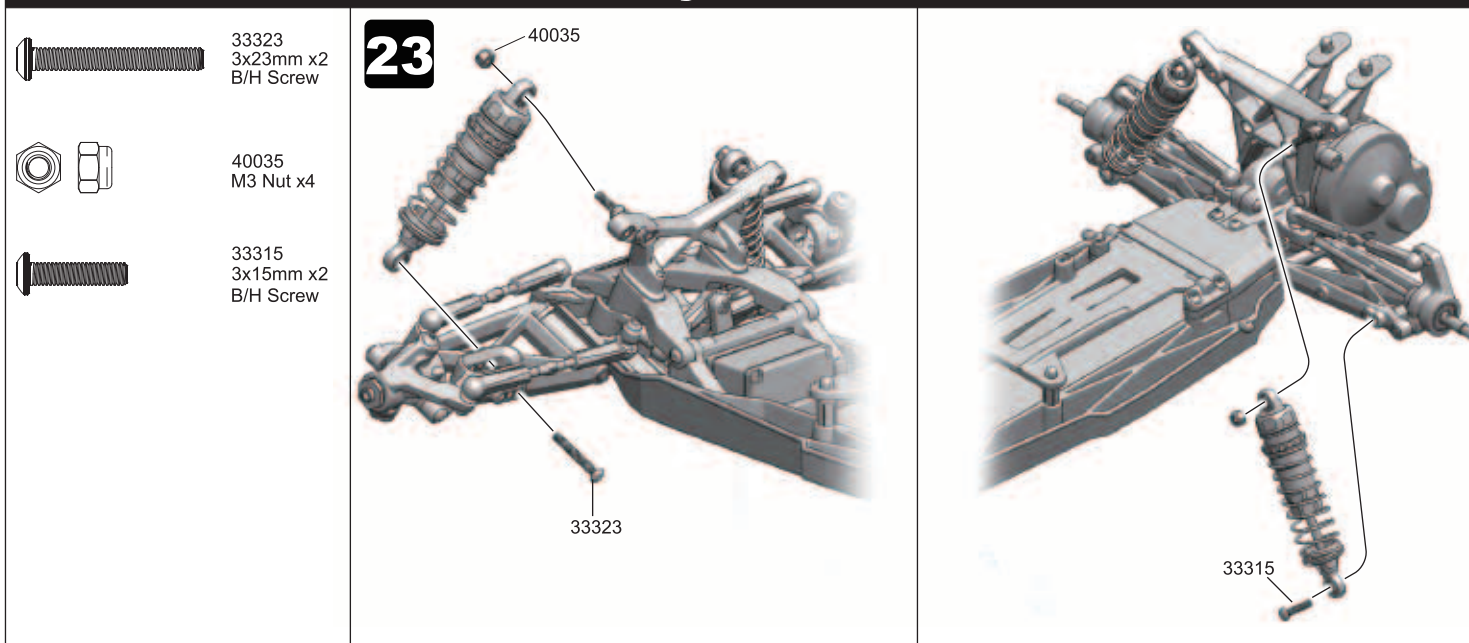
## Motor Assembly



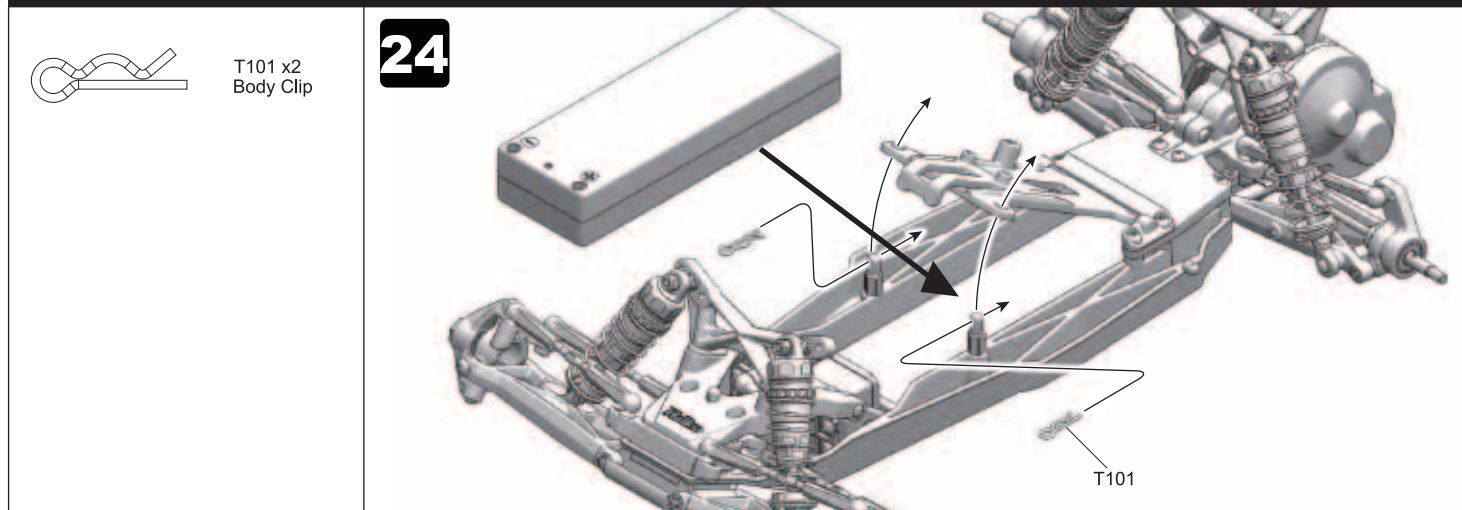
## Rear Clip Assembly



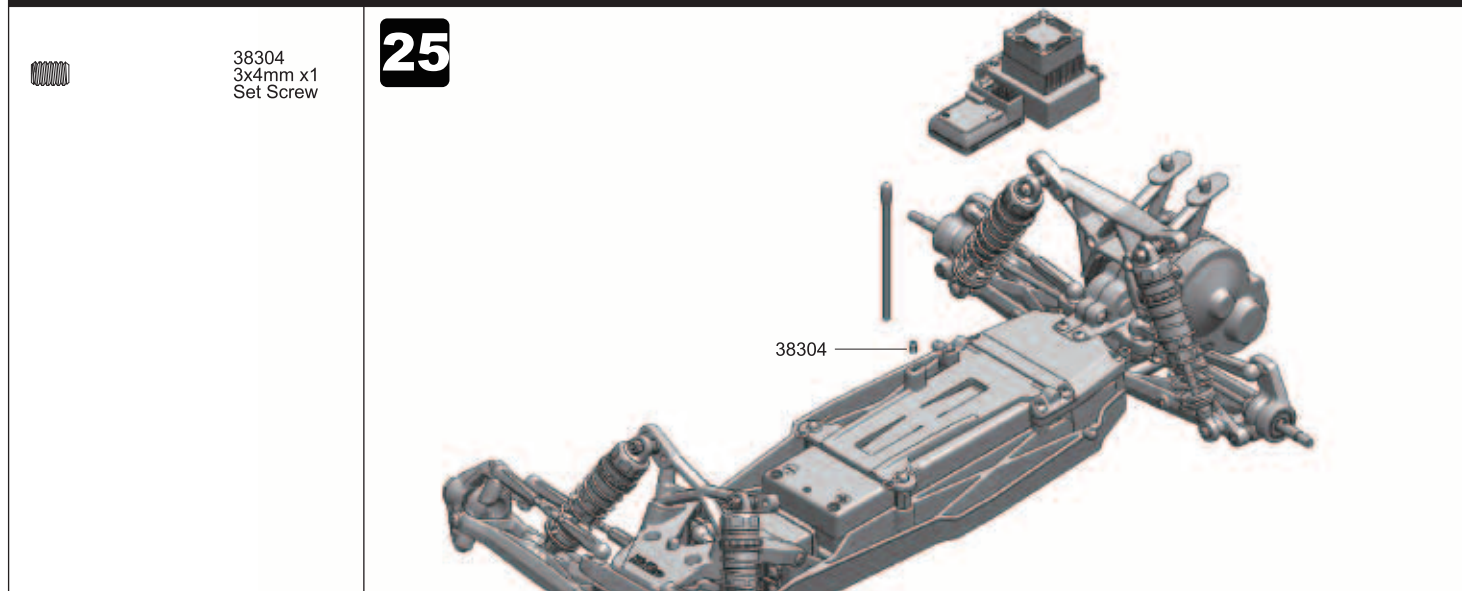
## Front / Rear Shock Assembly



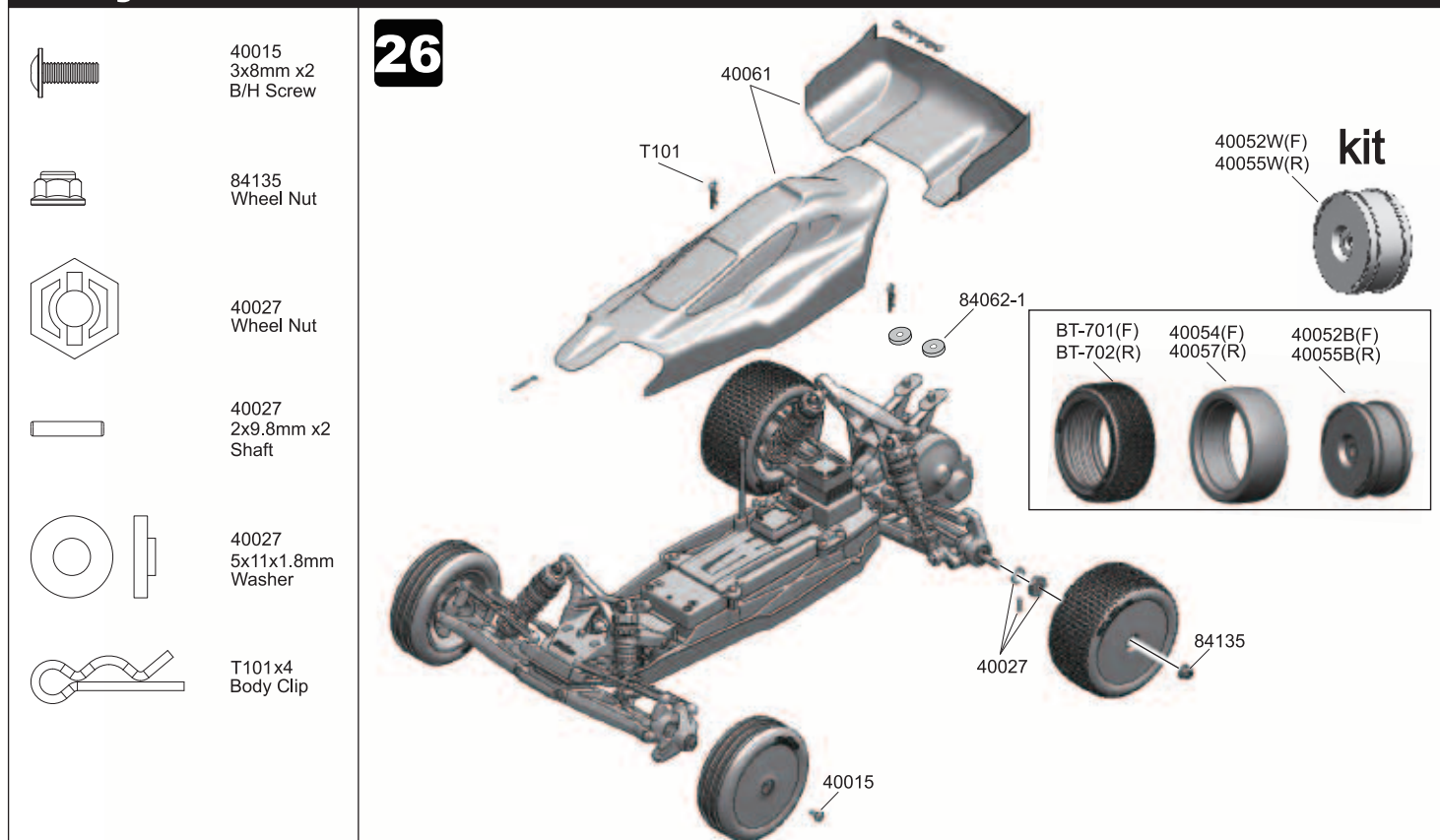
## Battery Installation



## ESC / Receiver Installation



## Body / Tire Installation



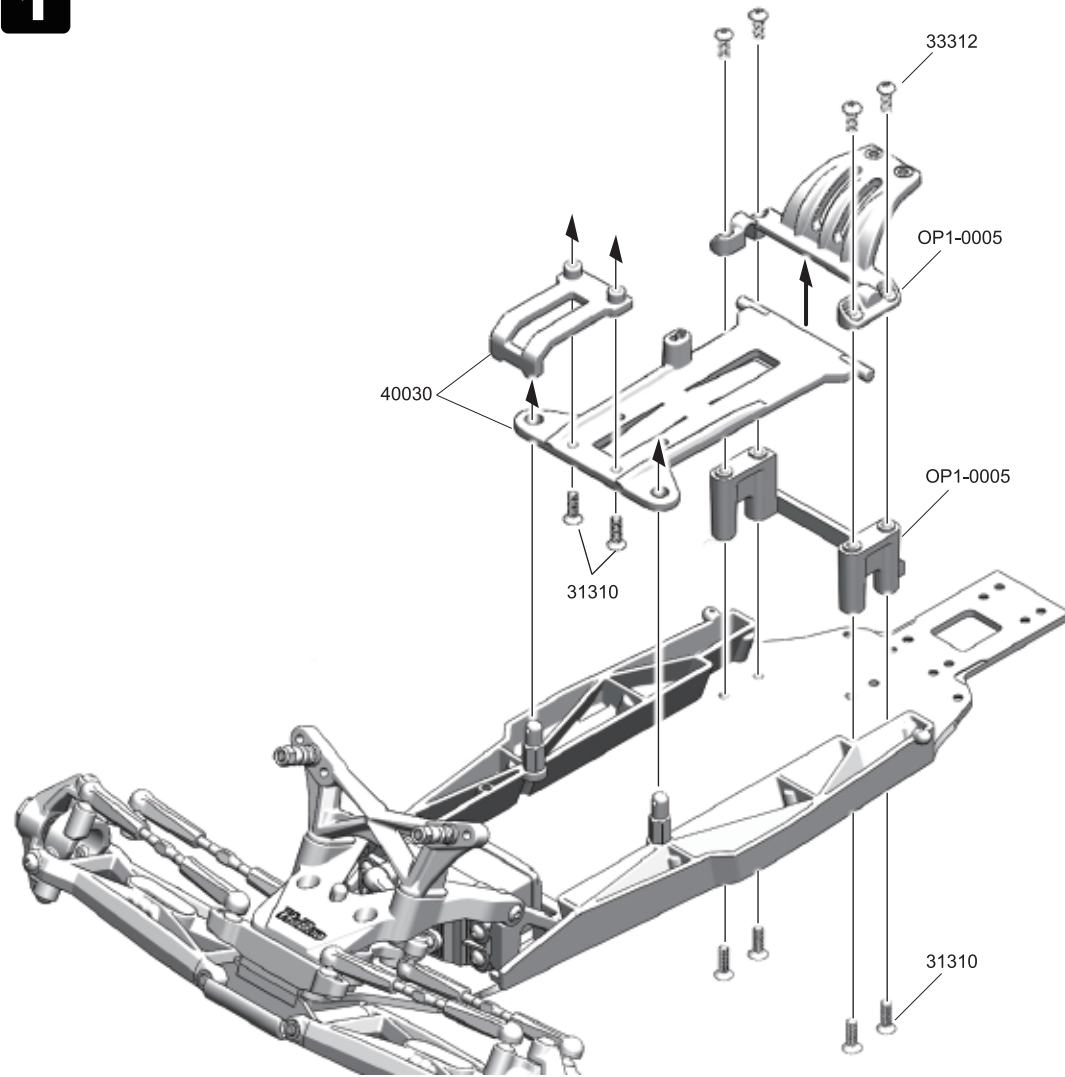


# OPTION: MID MOTOR CONVERSION KIT

## Battery Tray Assembly

- 33312  
3x12mm x4  
B/H Screw
- 31310  
3x10mm x6  
F/H Screw

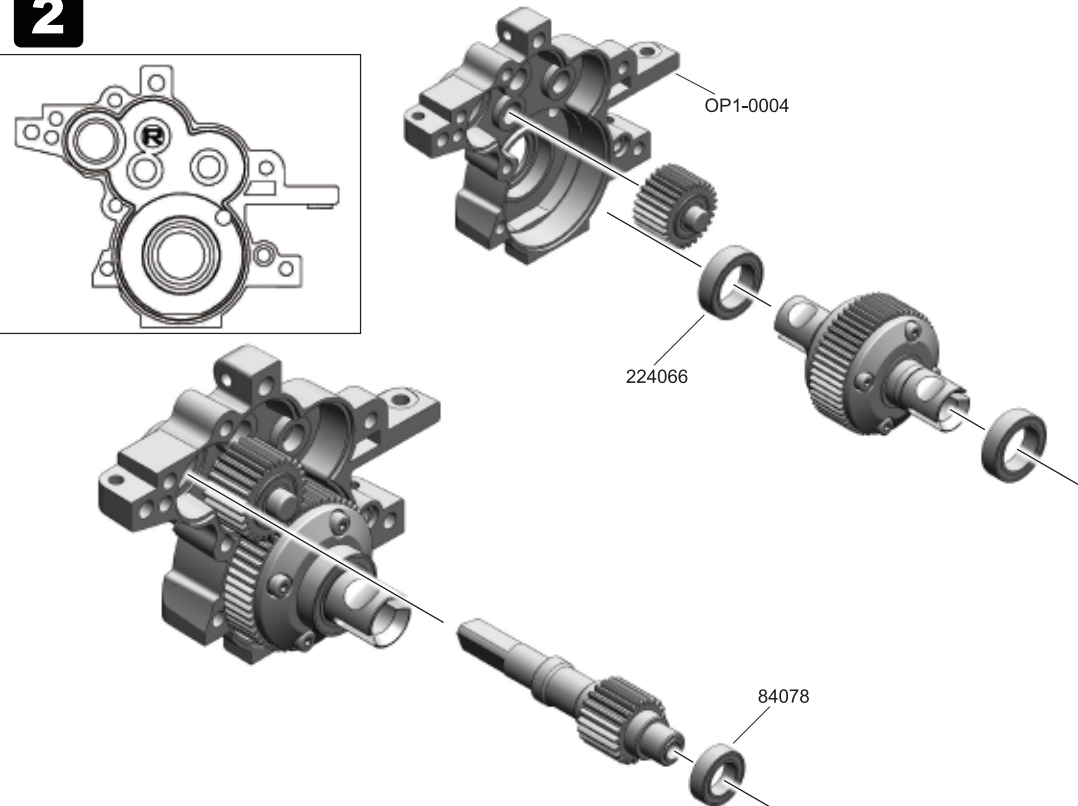
**1**



## Transmission Assembly 1

- 84078  
6x10x3mm x1  
Ball Bearing
- 224066  
10x15x4mm x2  
Ball Bearing

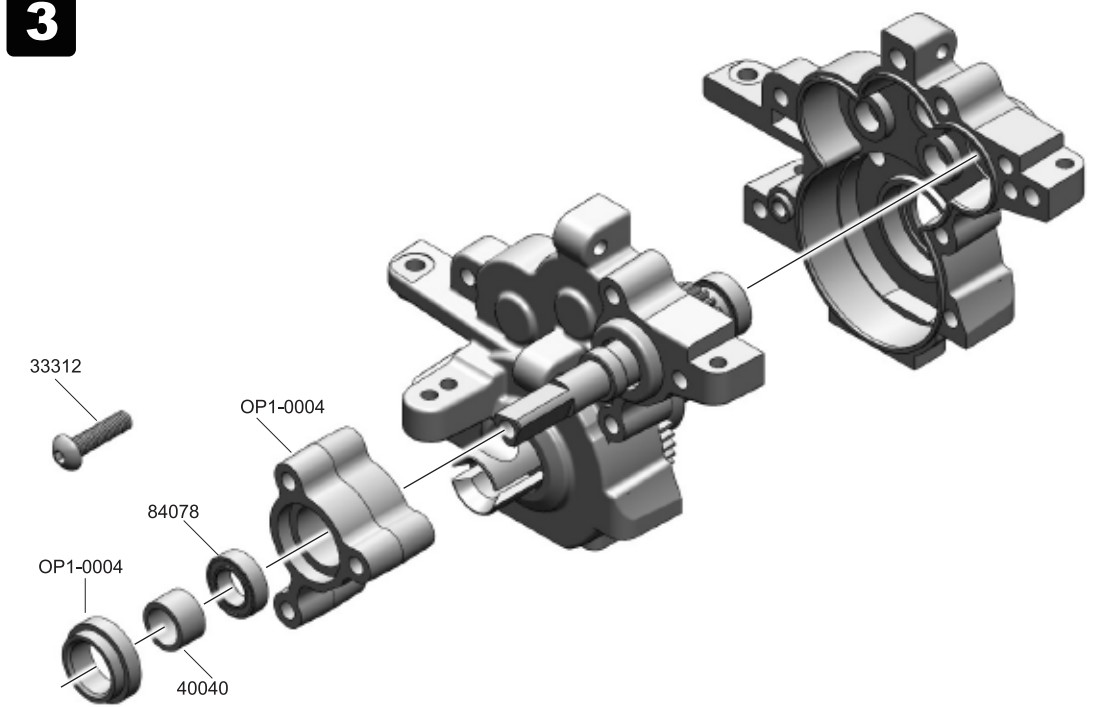
**2**



## Transmission Assembly 2

- 33312  
3x12mm x1  
B/H Screw
- 84078  
6x10x3mm x1  
Ball Bearing

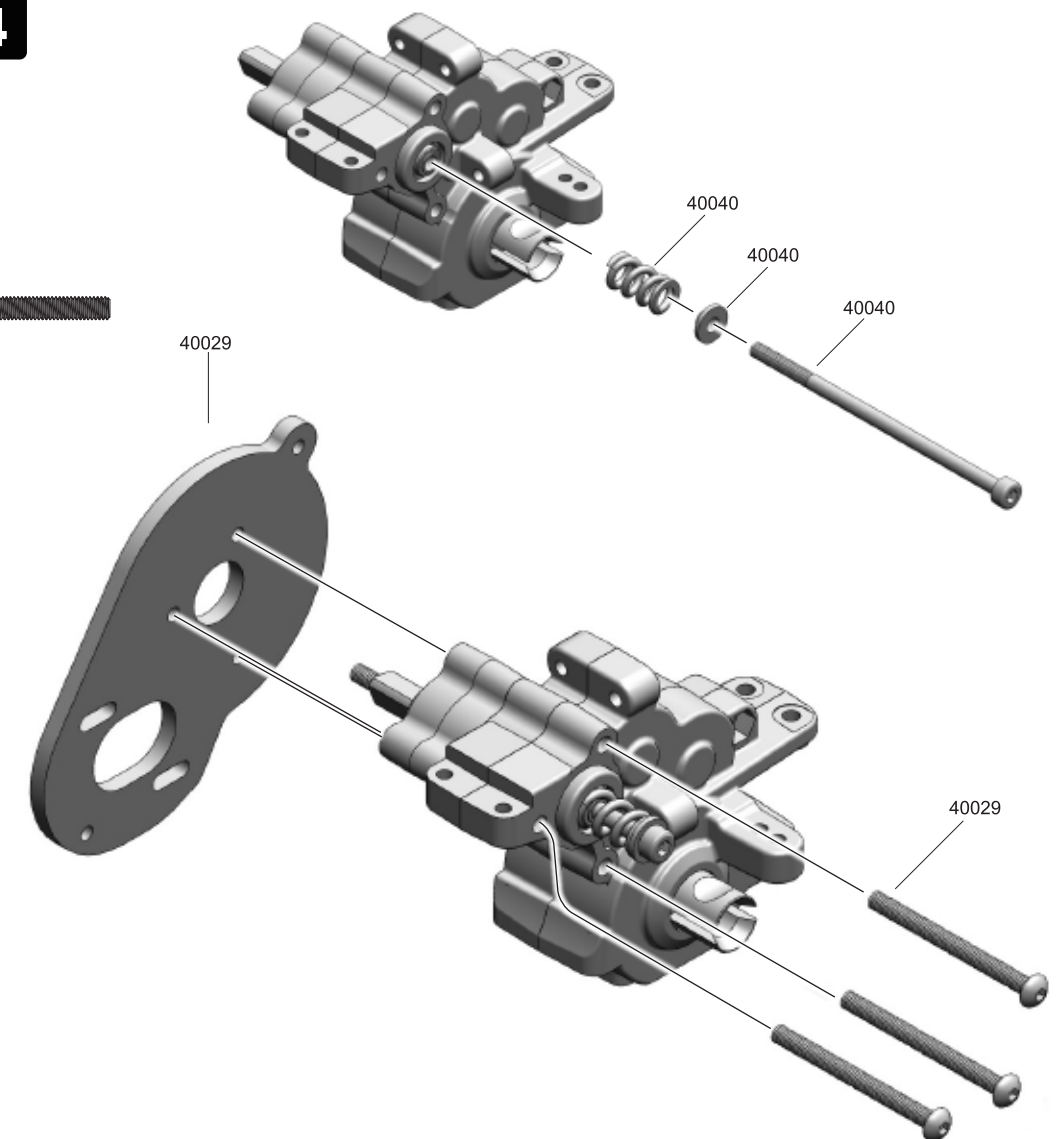
**3**



## Motor Mount Assembly

- 40040  
Slipper Washer
- 40040  
Slipper Spring
- 40040  
3x65mm  
Cap Screw
- 40029  
3x35mm x3  
B/H Screw

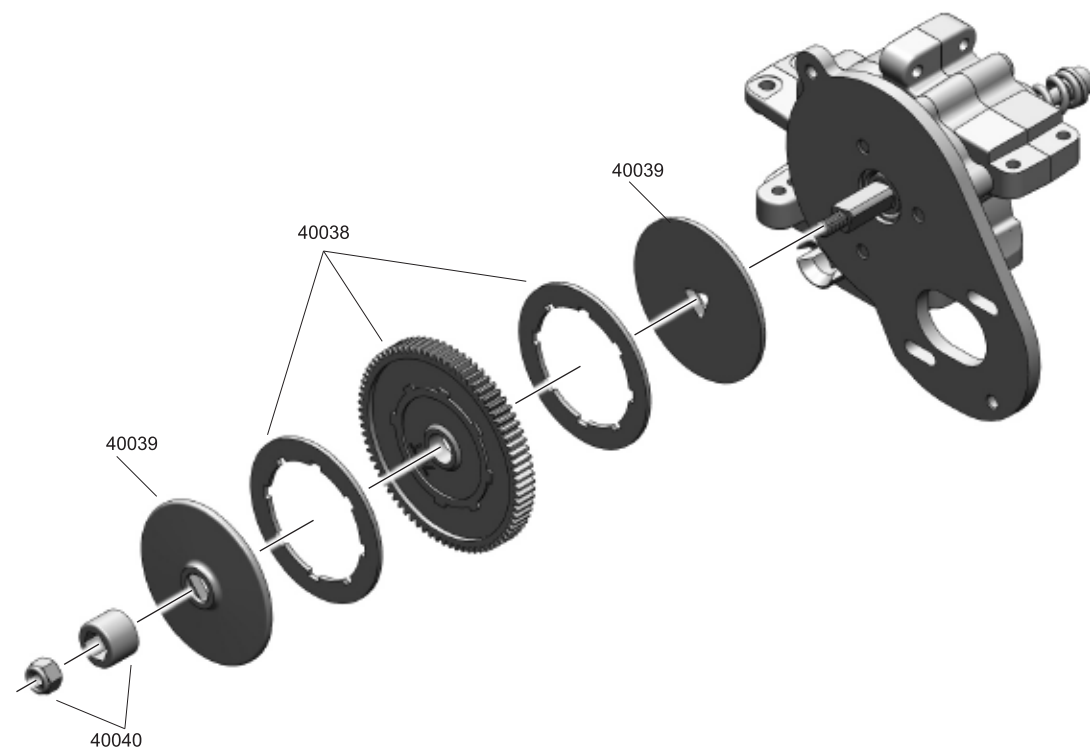
**4**







## Slipper Assembly

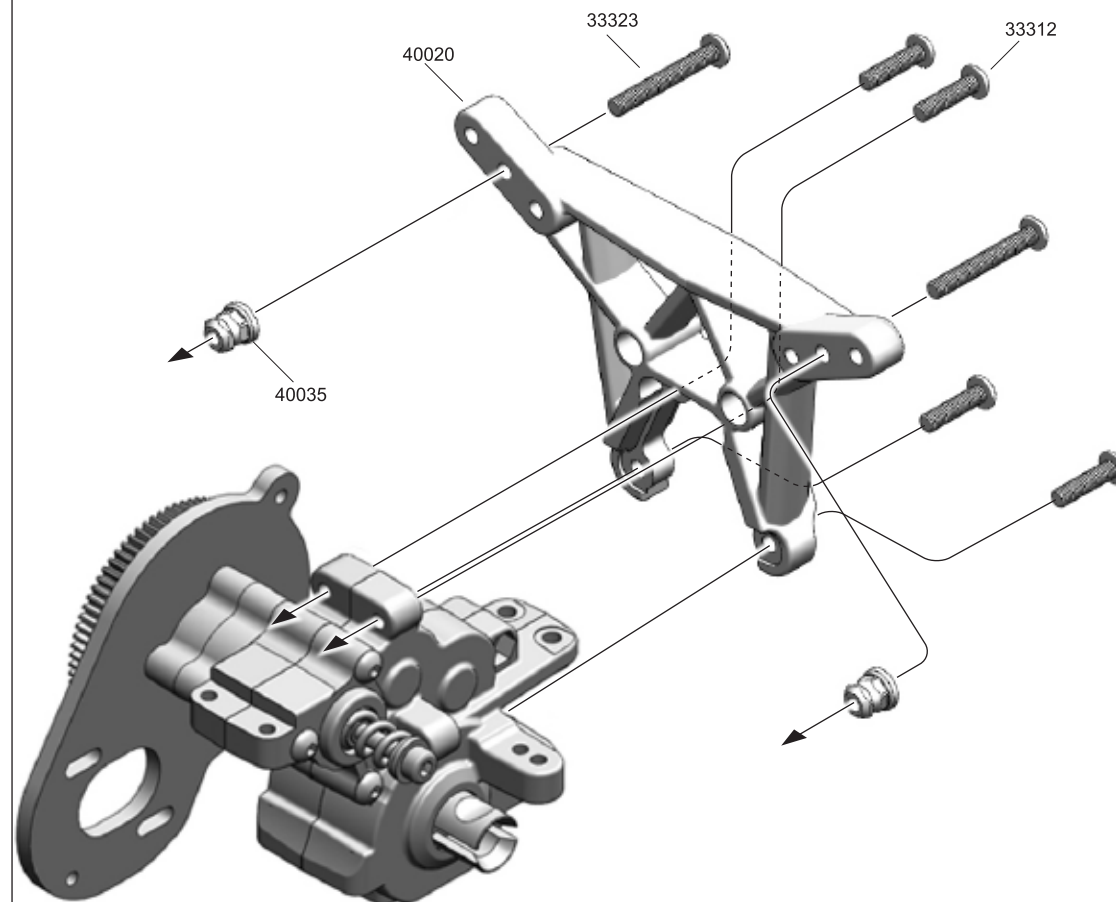
**5**



## Rear Shock Tower Assembly

**6**

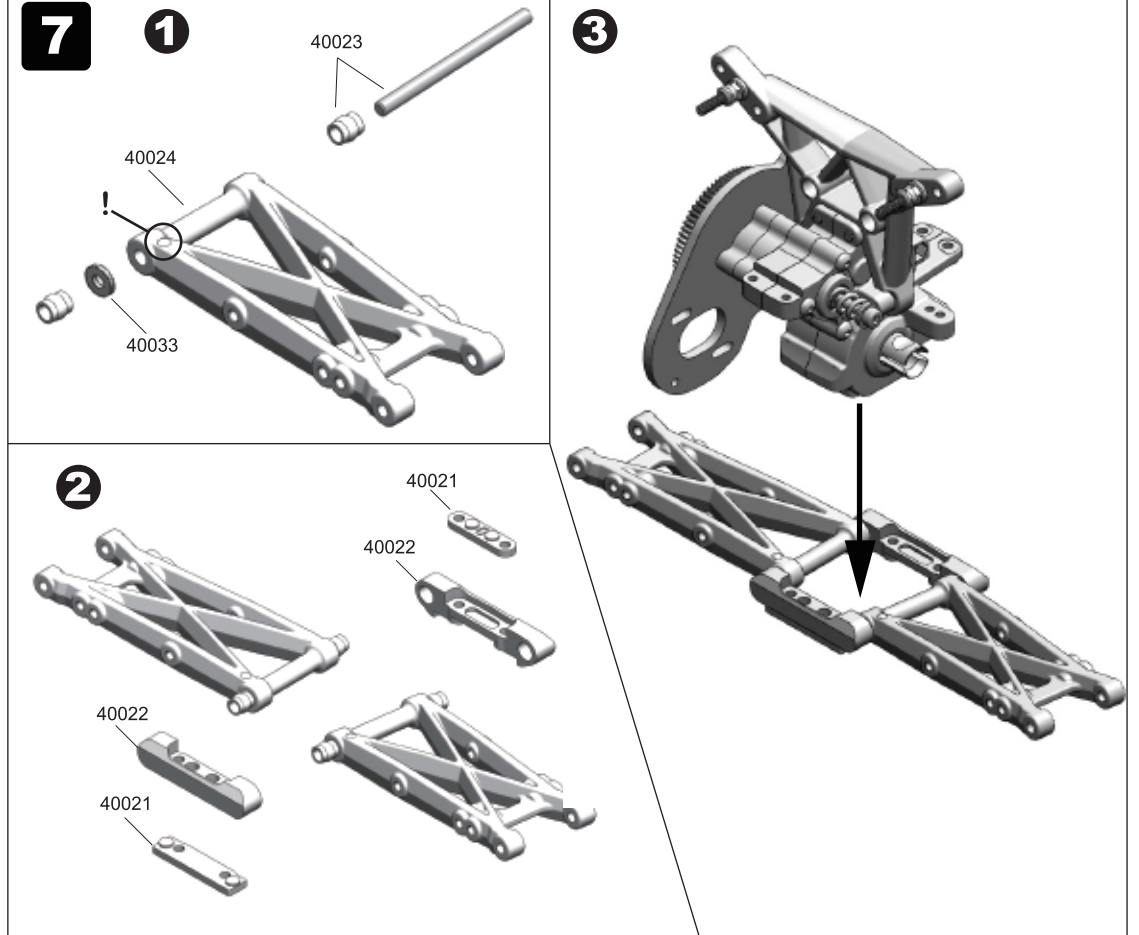
-  33312  
3x12mm x4  
B/H Screw
-  33323  
3x23mm x2  
B/H Screw



## Rear Suspension Arm Assembly







**7**

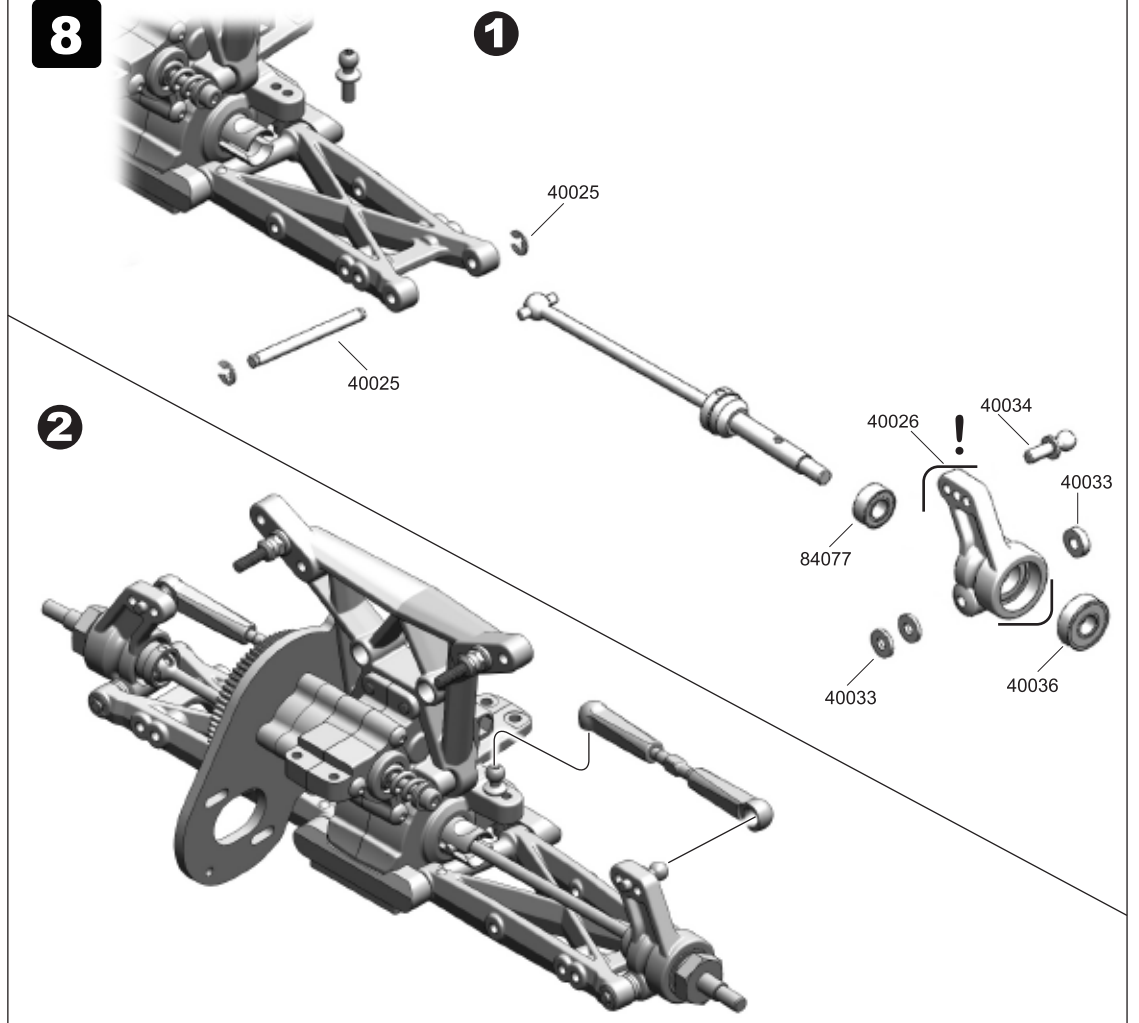
-  40033  
3x7x0.5mm x2  
Washer



## Rear Wheel Hub / CVD Assembly

**8**

-  40034  
4.8xM3x7mm x2  
Ball Stud
-  84077  
5x10x4mm x2  
Ball Bearing
-  40036  
5x13x4mm x2  
Ball Bearing
-  40025  
3mm x4  
E-Clip
-  40033  
3x7x1mm x4  
Washer
-  40033  
3x7x2mm x2  
Washer

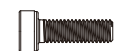


## Motor Assembly

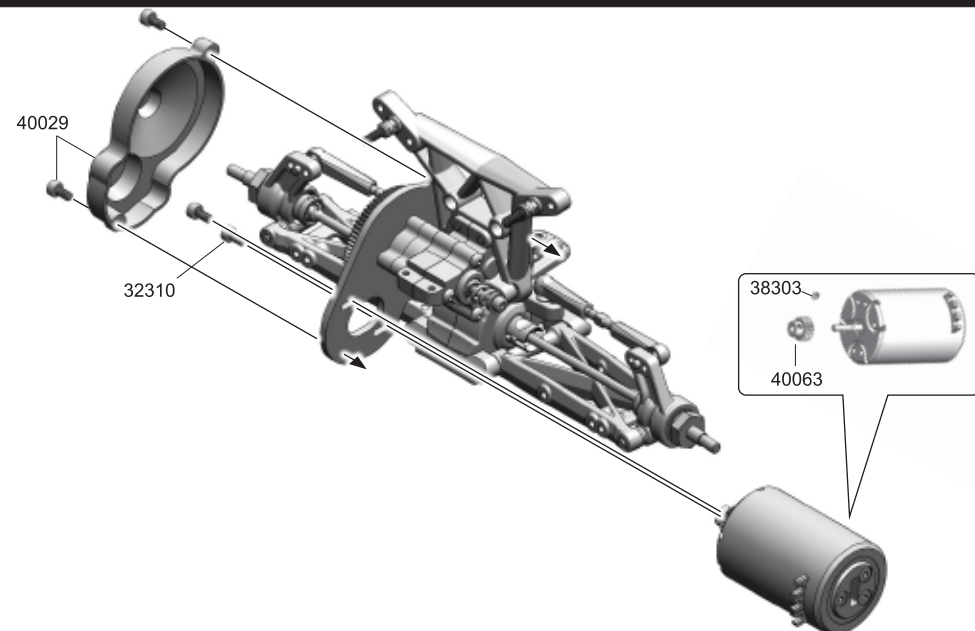


40029  
3x6mm x2  
Cap Screw

9



32310  
3x10mm x2  
Cap Screw



## Rear Wing Mount Assembly



33312  
3x12mm x4  
B/H Screw

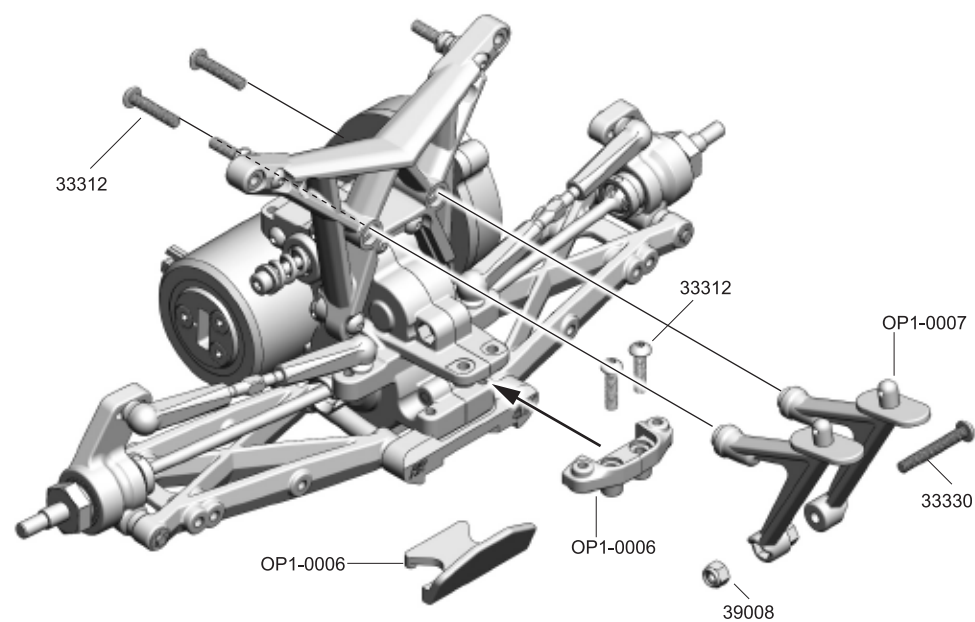
10



33330  
3x30mm x1  
B/H Screw



39008  
M3 Nut x 1



## Rear Clip Assembly

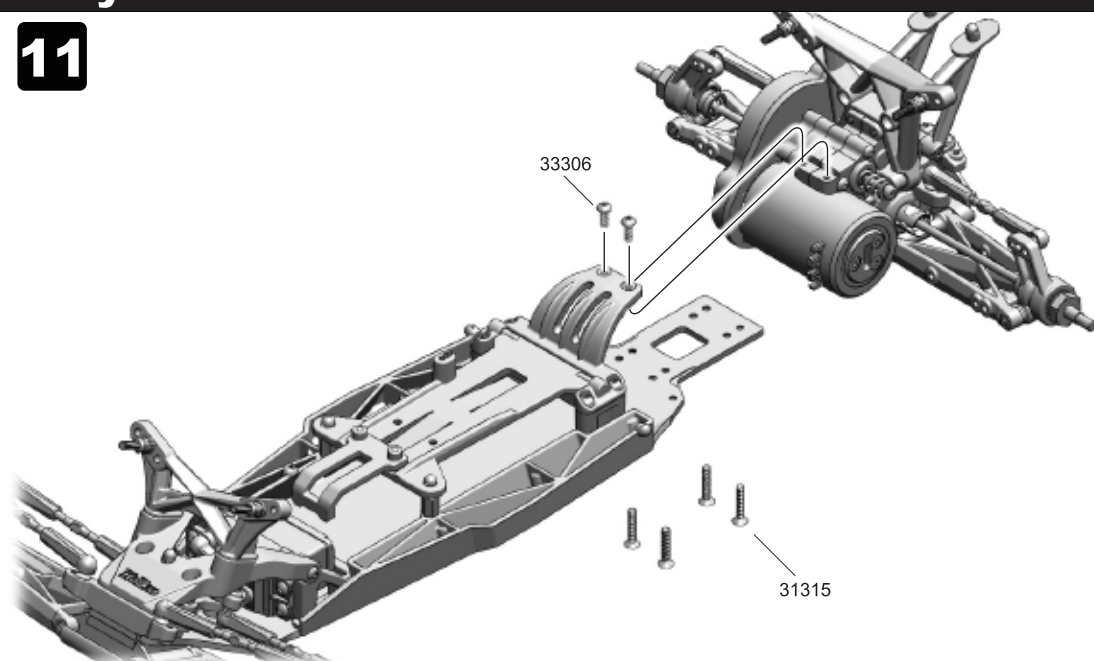


33306  
3x6mm x2  
B/H Screw

11



31315  
3x15mm x4  
F/H Screw



# HYPER H2

# PARTS LIST

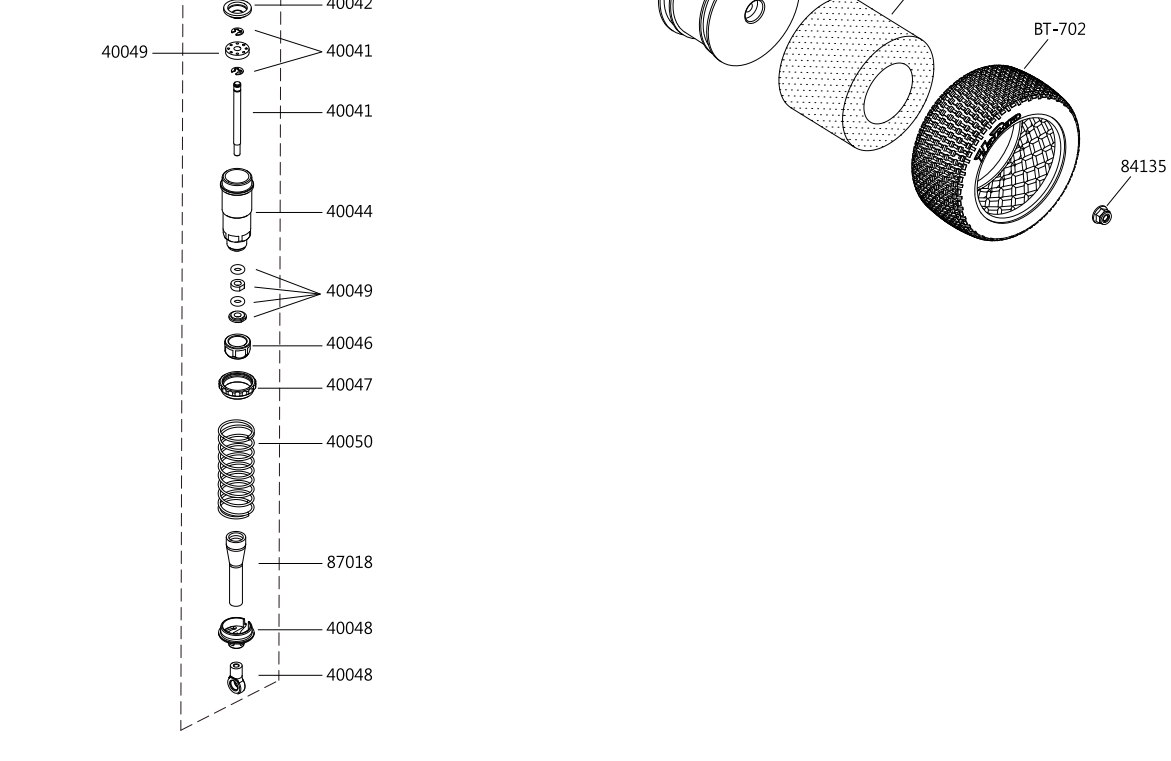
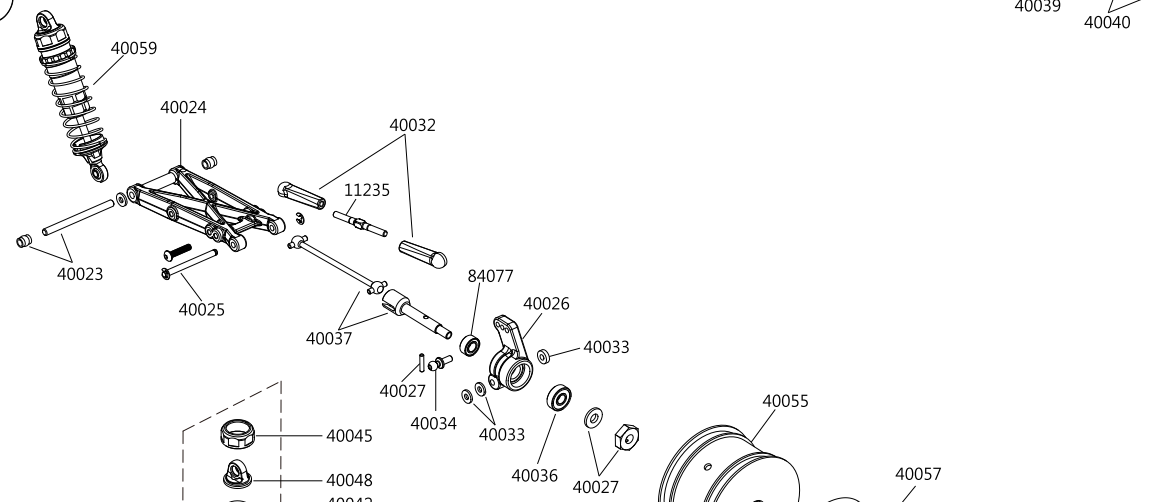
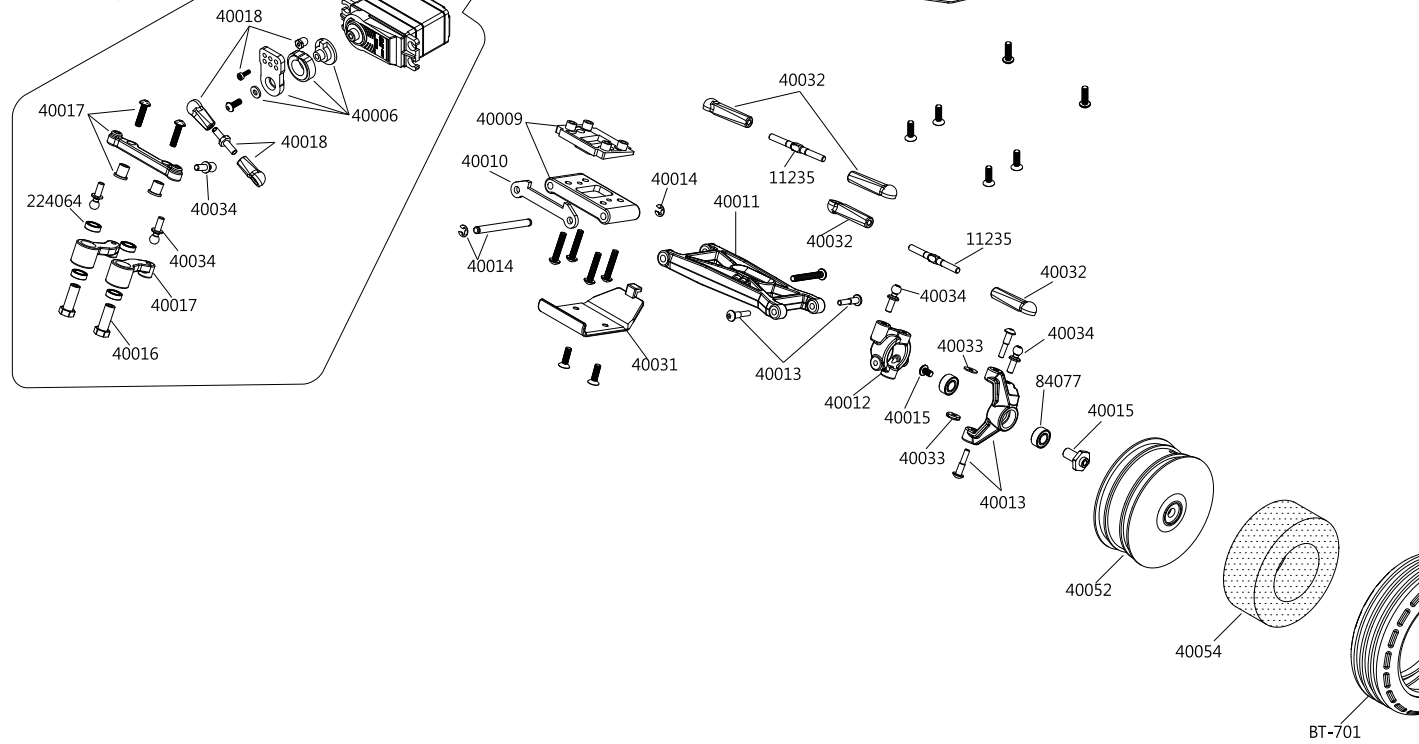
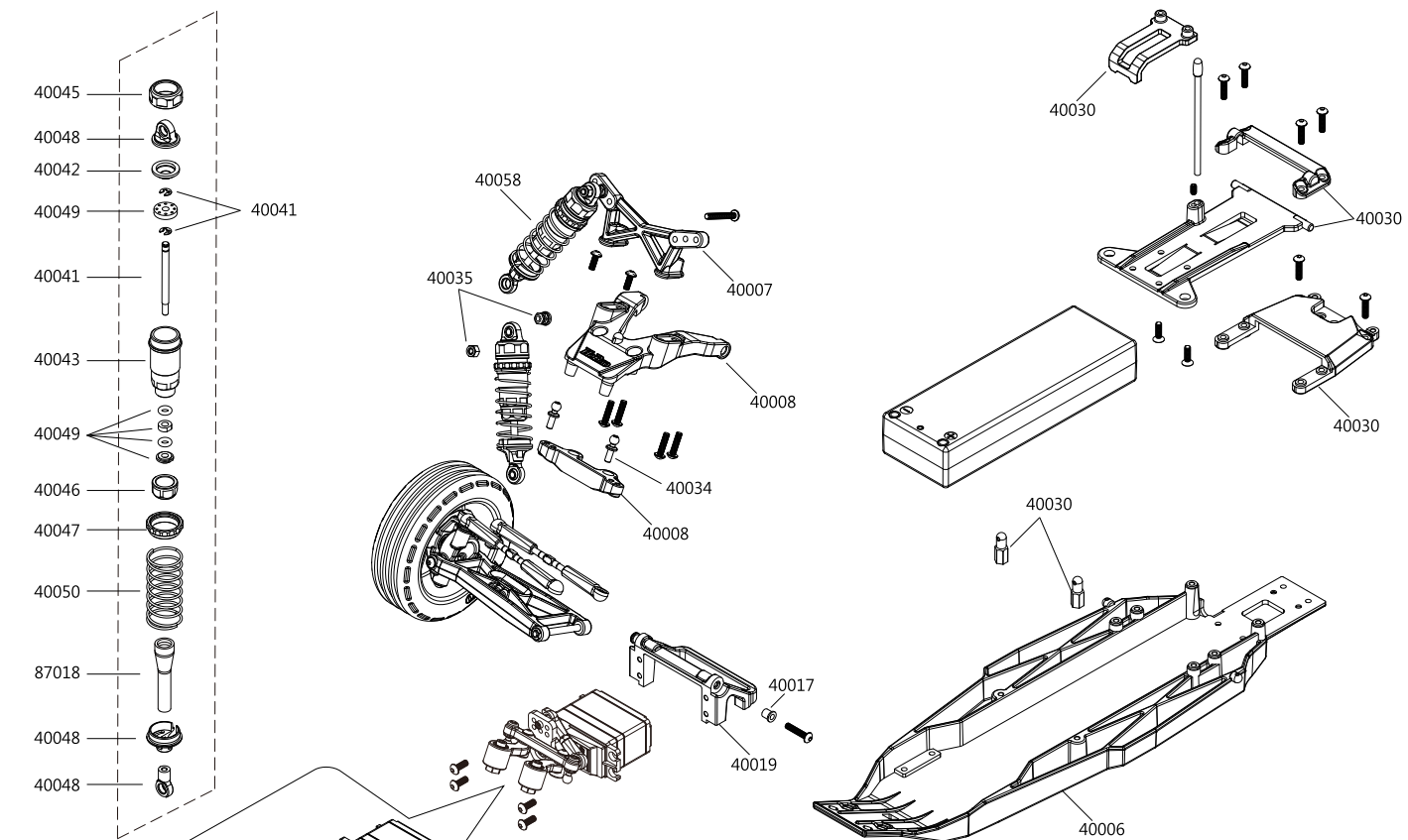
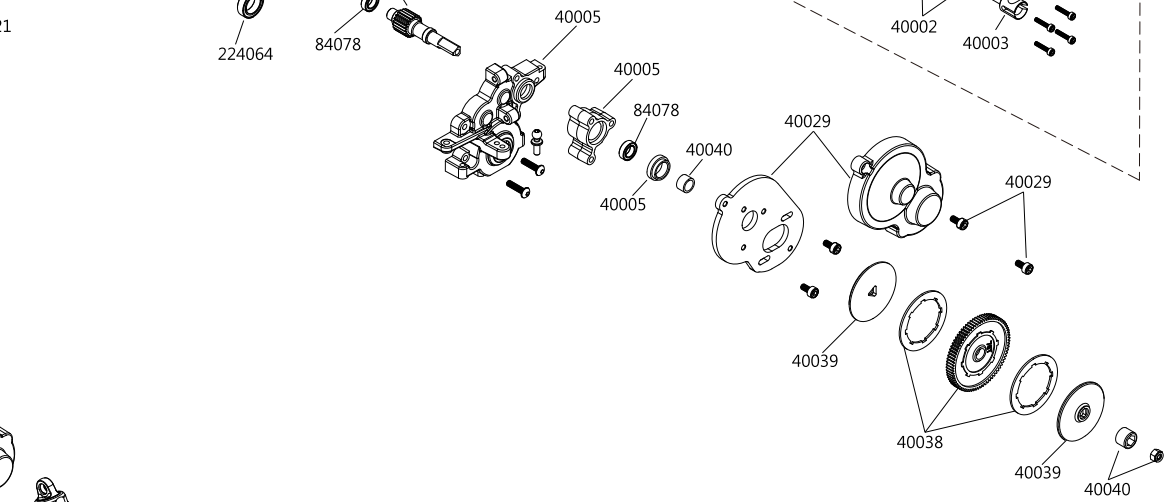
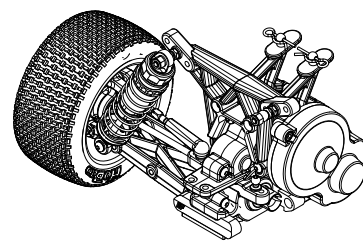
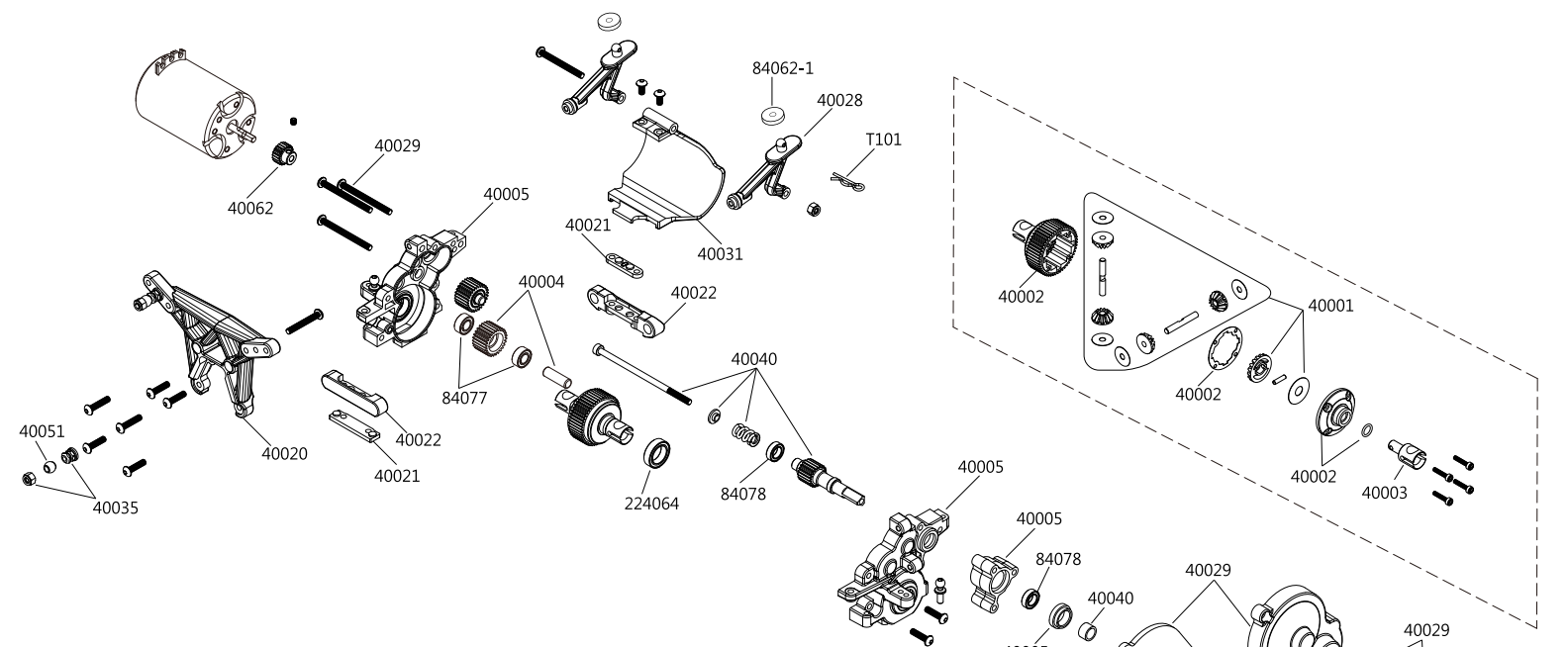
1/10 SCALE 2WD BUGGY

STANDARD PARTS		40043	FRONT SHOCK BODY	OP1-0013	LIGHT WEIGHT DIFF. OUTDRIVE CUP
40001	BEVEL GEAR	40044	REAR SHOCK BODY	OP1-0014	REAR SUSPENSION ARM HOLDER (RR)
40002	DIFFERENTIAL CASE	40045	SHOCK CAP TOP	OP1-0015	REAR SUSPENSION ARM HOLDER (RF)
40003	DIFFERENTIAL OUTDRIVE CUP	40046	SHOCK CAP BOTTOM	OP1-0016	LIGHT WEIGHT MOTOR MOUNT
40004	IDLER GEAR	40047	ADJUSTABLE SHOCK RING	OP1-0017	CNC REAR HUB SET
40005	GEAR BOX	40048	SHOCK NYLON SET	OP1-0018	CNC REAR WHEEL HEX SET
40006	COMPOSITE CHASSIS	40049	SHOCK PISTON SET	OP1-0019	PINION GEAR 22T
40007	FRONT SHOCK TOWER	40050	F/R SHOCK SPRING	OP1-0020	PINION GEAR 23T
40008	FRONT BULKHEAD	40051	BALL 5.8MM	OP1-0021	CLEAR BODY/WING SET
40009	FRONT PIVOT BLOCK & KICK PLATE	40052B/W/Y	FRONT WHEEL	OP1-0022	SHOCK SPRING SOFT-ORANGE
40010	FRONT SUSPENSION ARM HOLDER	40054	FRONT TIRE INSERT	OP1-0023	SHOCK SPRING SOFT-WHITE
40011	FRONT SUSPENSION ARM	40055B/W/Y	REAR WHEEL	CK-0001	CONVERSION KIT FOR RTR
40012	FRONT C-HUB SET	40057	REAR TIRE INSERT		
40013	STEERING KNUCKLE SET	40058	FRONT SHOCK		
40014	PIN 3.5x41MM	40059	REAR SHOCK		
40015	FRONT AXLE	40060	FRONT/REAR SHOCK SET		
40016	SERVO SAVER POST	40061	BODY/WING SET		
40017	SERVO SAVER ARM SET	40062	PINION GEAR 21T		
40018	SERVO HORN SET	40063	PINION GEAR 24T		
40019	SERVO MOUNT	BT-701	FRONT TIRE		
40020	REAR SHOCK TOWER	BT-702	REAR TIRE		
40021	ANTI-SQUAT SET	84077	BEARING 5x10x4MM		
40022	REAR SUSPENSION ARM HOLDER	84078	BEARING 6x10x3MM		
40023	PIN 3.5x45,5MM	224064	BEARING 5x8x2,5MM		
40024	REAR SUSPENSION ARM	224066	BEARING 10x15x4MM		
40025	PIN 3x35MM	11235	TURNBUCKLE		
40026	REAR HUB SET	84062-1	BODY FOAM SPACER		
40027	REAR WHEEL HEX SET	84135	WHEEL NUT 4MM		
40028	REAR WING MOUNT	87018	SHOCKBOOTS		
40029	MOTOR MOUNT & COVER	T101	BODY CLIP		
40030	BATTERY TRAY COVER SET				
			<b>OPTIONAL PARTS</b>		
40031	FRONT/REAR BUMPER SET	OP1-0001	ALUM LIGHT WEIGHT CHASSIS		
40032	BALL END 4.8MM	OP1-0002	L/R SIDE GUARD		
40033	ADJUSTMENT SPACER SET	OP1-0003	BATTERY MOUNT		
40034	BALL STUD .8MM	OP1-0004	MID MOTOR GEAR BOX SET		
40035	SHOCK BUSHING	OP1-0005	MID MOTOR BATTERY TRAY SET		
40036	BEARING 5x13x4MM	OP1-0006	MID MOTOR VERSION PARTS		
40037	REAR AXLE & CUP	OP1-0007	MID MOTOR WING MOUNT		
40038	SPUR GEAR 76T	OP1-0008	CVD SHAFT		
40039	SLIPPER HUB	OP1-0009	SLIPPER PADS		
40040	TOP SHAFT SET	OP1-0010	SHOCK SPRING-BLUE		
40041	FRONT/REAR SHOCK SHAFT	OP1-0011	CNC FRONT LOWER SUSPENSION ARM HOLDER		
40042	SHOCK BLADDER	OP1-0012	CNC FRONT C-HUB SET		



# 1/10 SCALE 2WD BUGGY

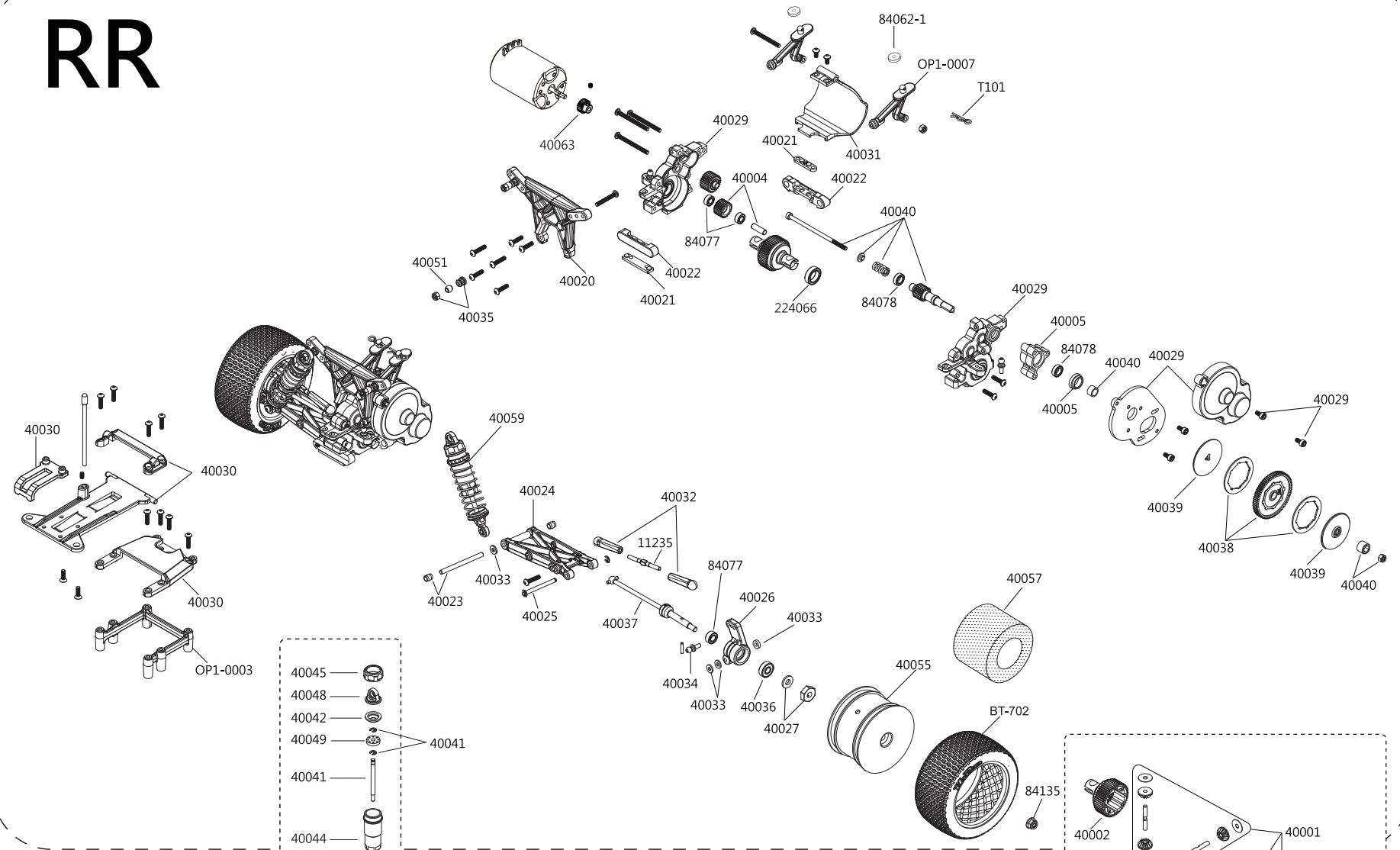
# HYPER H2



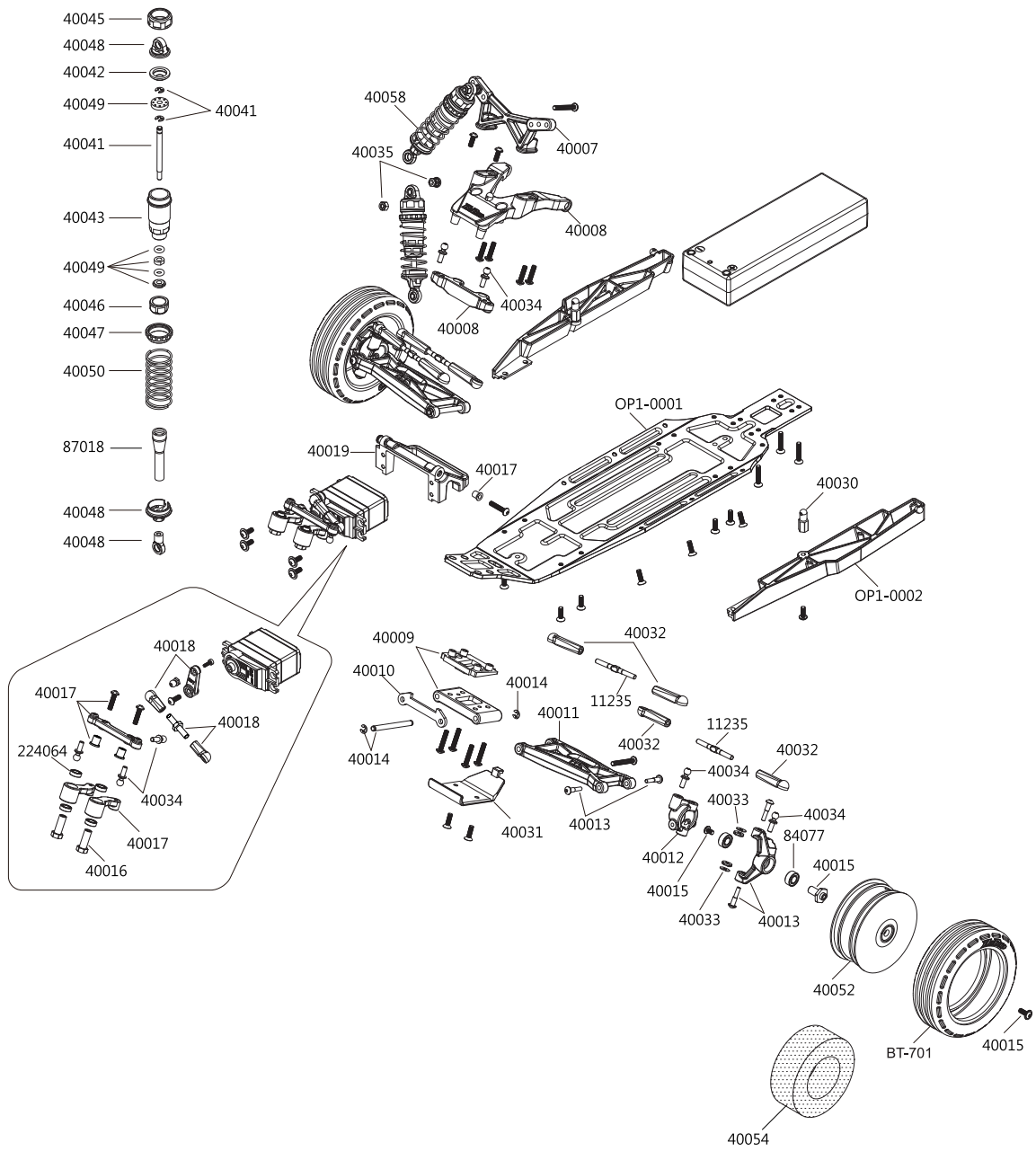
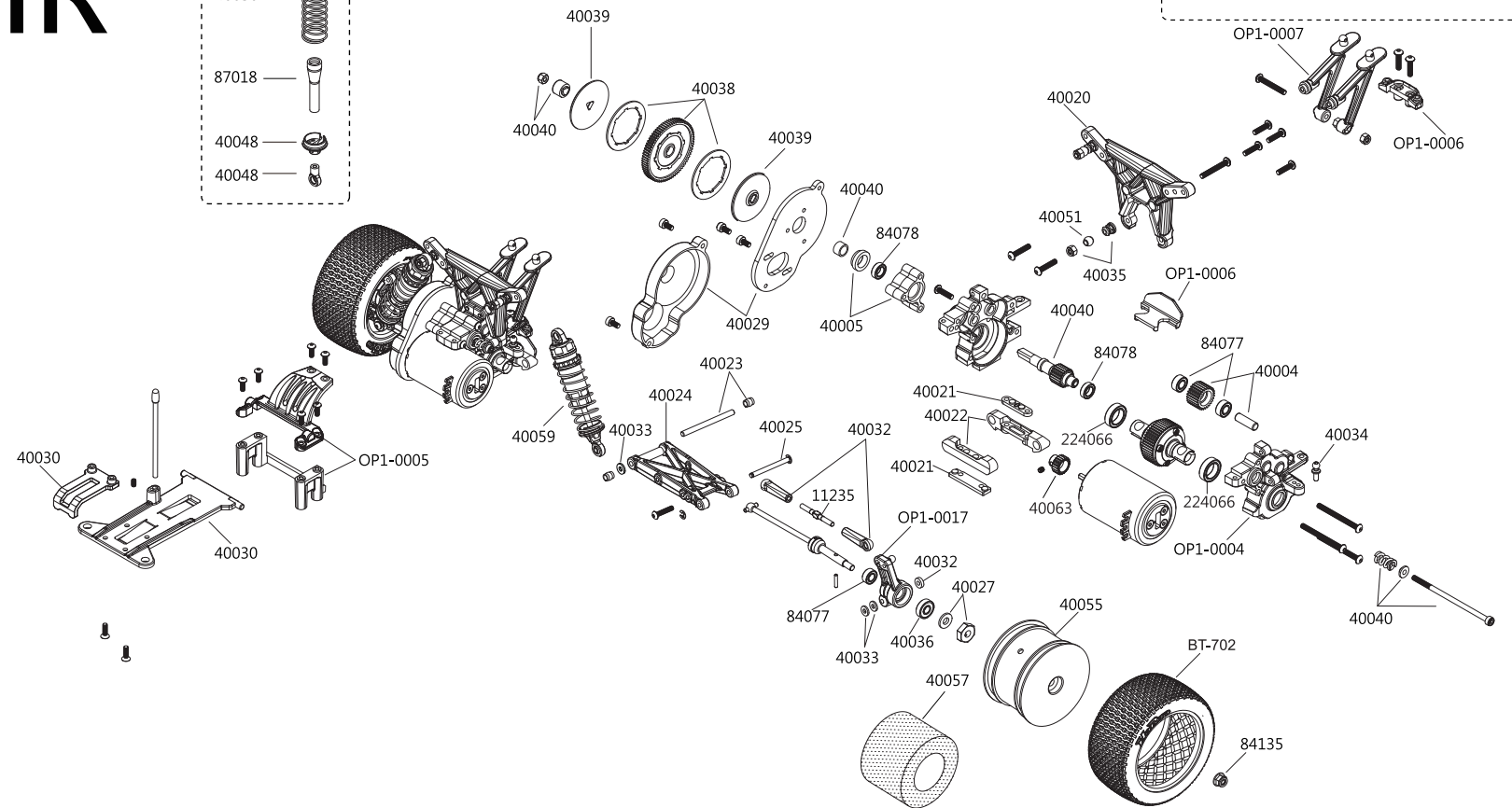
# 1/10 SCALE 2WD BUGGY

# HYPER H2

## RR



## MR







**SETUP SHEET**

Name: RTR Standard Setup

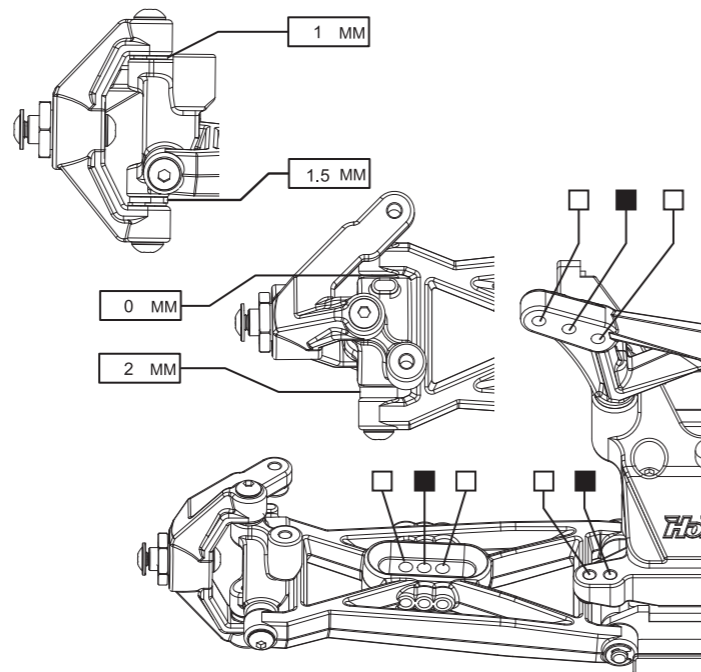
Date:

Event:

Track:

**Track Conditions**

- Smooth    Hard Packed    Blue Grove    Wet  
 Rough    Loose    Dry    Dusty  
 Grass    Low Traction    High Traction   Temp \_\_\_\_\_ °C/°F  
 Astro Turf    Med Traction    Other \_\_\_\_\_

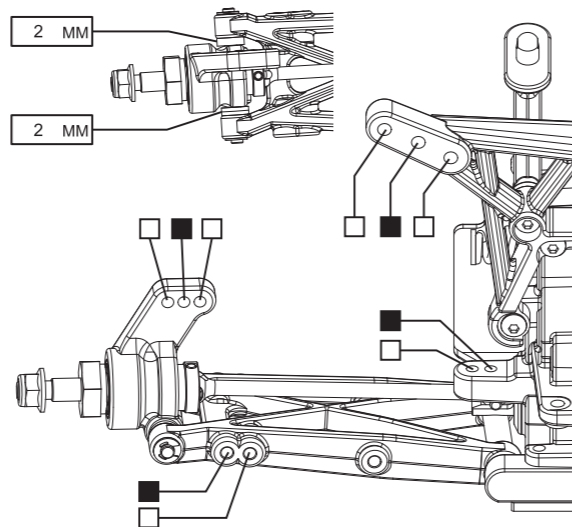


**Front Suspension**

Toe: 0°  
 Ride Height: 22.5mm  
 Camber: -1°  
 Caster:  30°  35°  
 Kick Angle:  20°  25°  
 Shock Oil: #300  
 Piston: 4 hole  
 Spring: silver  
 Bump Steer Spacer: \_\_\_\_\_

**Rear Suspension**

Chassis Configuration:  Rear Motor  Mid Motor  
 Toe: 4°  
 Anti-Squat:  1°  2°  3°  
 Ride Height: 22.5mm  
 Camber: -1°  
 Wheelbase: 284.5mm  
 Sway Bar: no  
 Shock Oil: #300  
 Piston: 4 hole  
 Spring: silver  
 Differential:  Ball  Gear   Fluid: grease  
 Battery Position: \_\_\_\_\_



**Front Tires**

Tire: \_\_\_\_\_  
 Compound: \_\_\_\_\_  
 Insert: \_\_\_\_\_  
 Wheel: \_\_\_\_\_

**Rear Tires**

Tire: \_\_\_\_\_  
 Compound: \_\_\_\_\_  
 Insert: \_\_\_\_\_  
 Wheel: \_\_\_\_\_

**Electronics**

Radio: \_\_\_\_\_  
 Servo: \_\_\_\_\_  
 ESC: \_\_\_\_\_  
 Initial Brake: \_\_\_\_\_  
 Drag Brake: \_\_\_\_\_  
 Throttle Profile: \_\_\_\_\_  
 Timing Advance: \_\_\_\_\_  
 Throttle/Brake Expo: \_\_\_\_\_  
 Servo Expo: \_\_\_\_\_  
 Throttle/Brake EPA: \_\_\_\_\_  
 Motor: \_\_\_\_\_  
 Pinion: \_\_\_\_\_ Spur: \_\_\_\_\_  
 Battery: \_\_\_\_\_

**Notes**

\_\_\_\_\_  
 \_\_\_\_\_  
 \_\_\_\_\_  
 \_\_\_\_\_

**SETUP SHEET**

Name:

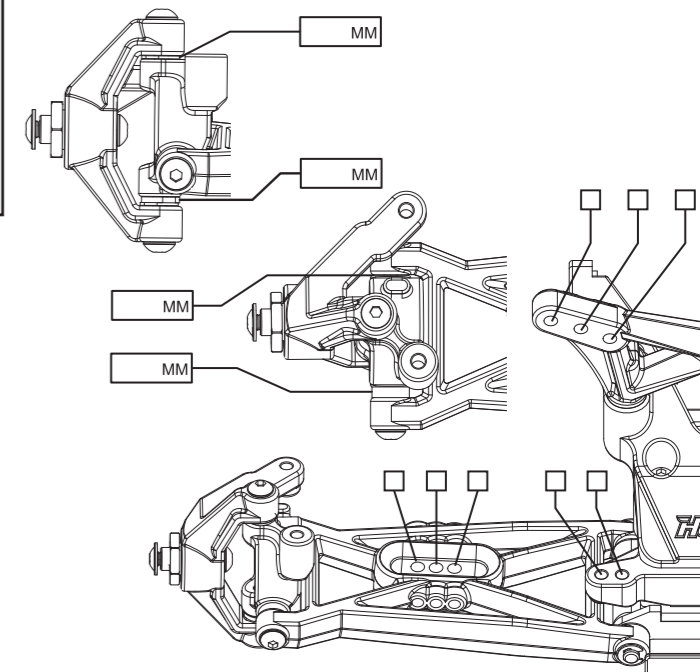
Date:

Event:

Track:

**Track Conditions**

- Smooth    Hard Packed    Blue Grove    Wet  
 Rough    Loose    Dry    Dusty  
 Grass    Low Traction    High Traction   Temp \_\_\_\_\_ °C/°F  
 Astro Turf    Med Traction    Other \_\_\_\_\_

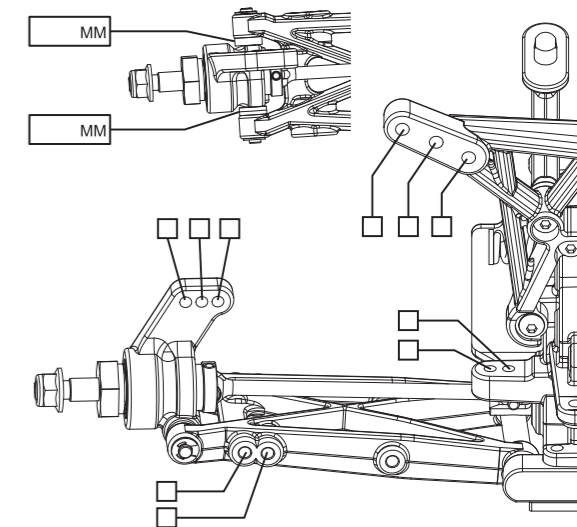


**Front Suspension**

Toe: \_\_\_\_\_  
 Ride Height: \_\_\_\_\_  
 Camber: \_\_\_\_\_  
 Caster:  30°  35°  
 Kick Angle:  20°  25°  
 Shock Oil: \_\_\_\_\_  
 Piston: \_\_\_\_\_  
 Spring: \_\_\_\_\_  
 Bump Steer Spacer: \_\_\_\_\_

**Rear Suspension**

Chassis Configuration:  Rear Motor  Mid Motor  
 Toe: \_\_\_\_\_  
 Anti-Squat:  1°  2°  3°  
 Ride Height: \_\_\_\_\_  
 Camber: \_\_\_\_\_  
 Wheelbase: \_\_\_\_\_  
 Sway Bar: \_\_\_\_\_  
 Shock Oil: \_\_\_\_\_  
 Piston: \_\_\_\_\_  
 Spring: \_\_\_\_\_  
 Differential:  Ball  Gear   Fluid: \_\_\_\_\_  
 Battery Position: \_\_\_\_\_



**Front Tires**

Tire: \_\_\_\_\_  
 Compound: \_\_\_\_\_  
 Insert: \_\_\_\_\_  
 Wheel: \_\_\_\_\_

**Rear Tires**

Tire: \_\_\_\_\_  
 Compound: \_\_\_\_\_  
 Insert: \_\_\_\_\_  
 Wheel: \_\_\_\_\_

**Electronics**

Radio: \_\_\_\_\_  
 Servo: \_\_\_\_\_  
 ESC: \_\_\_\_\_  
 Initial Brake: \_\_\_\_\_  
 Drag Brake: \_\_\_\_\_  
 Throttle Profile: \_\_\_\_\_  
 Timing Advance: \_\_\_\_\_  
 Throttle/Brake Expo: \_\_\_\_\_  
 Servo Expo: \_\_\_\_\_  
 Throttle/Brake EPA: \_\_\_\_\_  
 Motor: \_\_\_\_\_  
 Pinion: \_\_\_\_\_ Spur: \_\_\_\_\_  
 Battery: \_\_\_\_\_

**Notes**

\_\_\_\_\_  
 \_\_\_\_\_  
 \_\_\_\_\_  
 \_\_\_\_\_